

Date:4-13-15

Sheet: 1 of 1

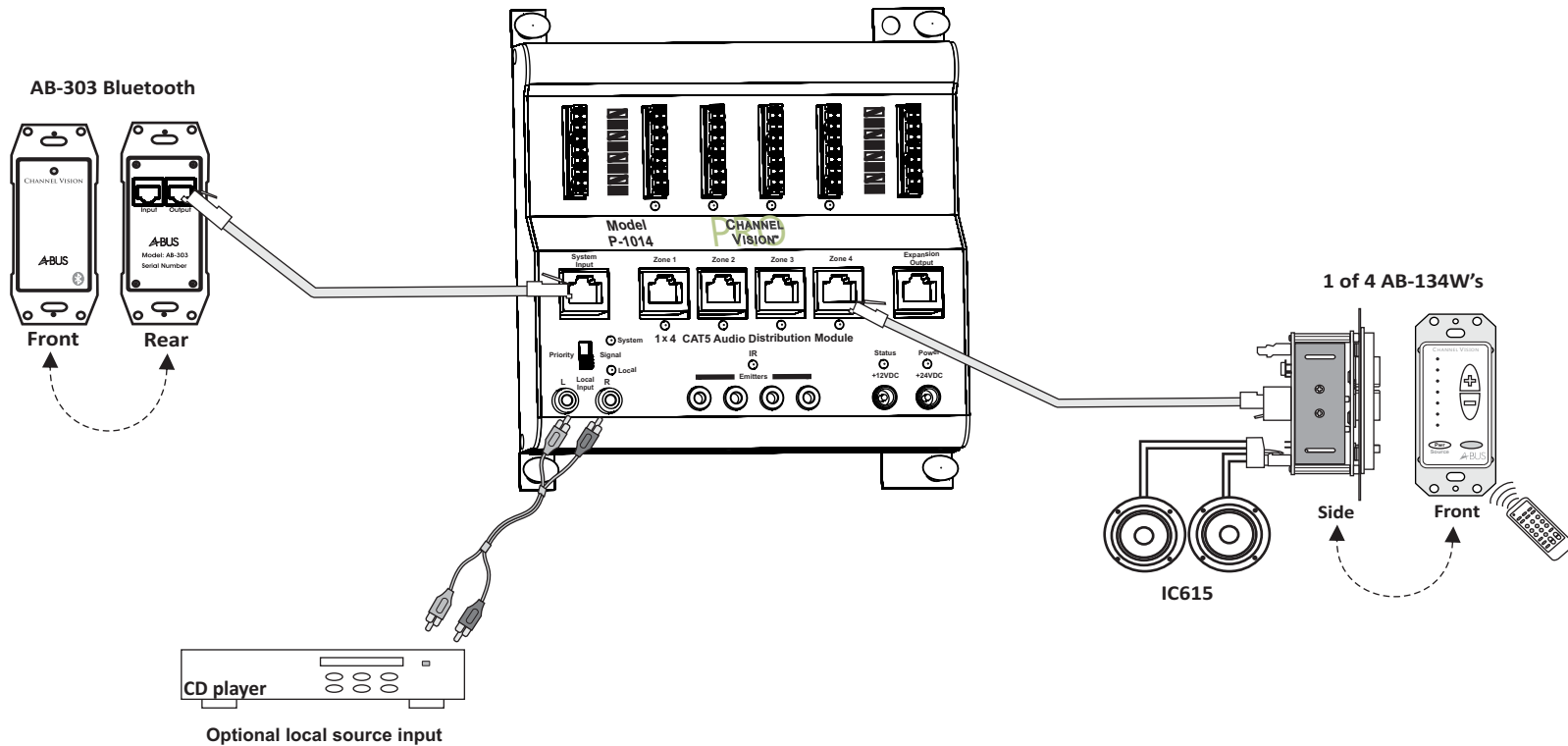
Design Example Not to Scale

COM0S0T0TE0D0A4

# Diverse Rooms

## Parts List

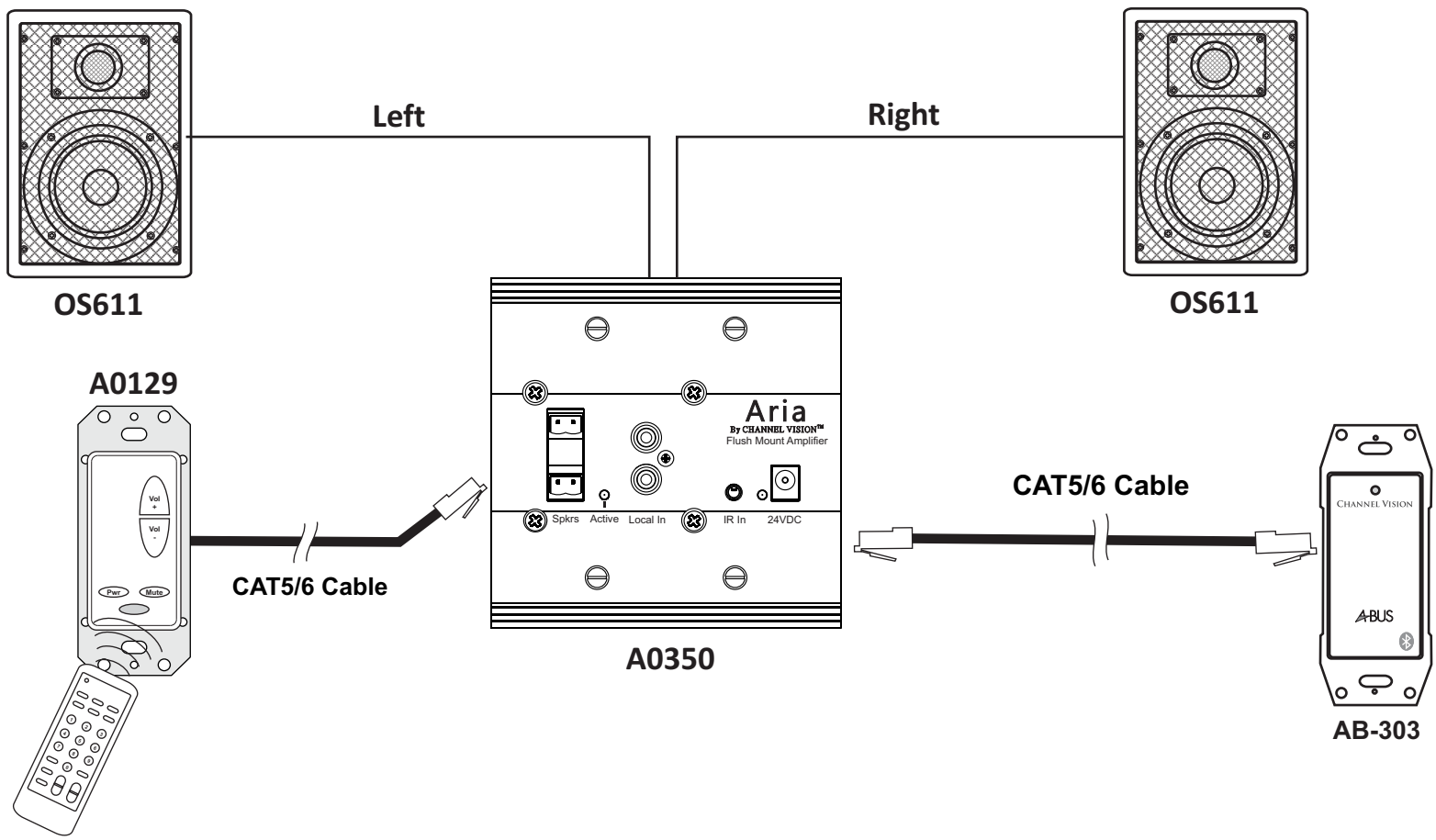
Qty.	Model #	Description	MSRP
1	P-1014	Single Source/4-Zone A-BUS Matrix	\$290.00/ea
4	AB-134W	Multi-Source Amplified Key Pad	\$218.00/ea
1	AB-303	Bluetooth Input Module for A-BUS	\$156.00/ea
4	IC615	6.5" In Ceiling Speaker (pair)	\$166.00/ea



# Jeremy Hoffman Single Zones Patio, Porch, Loft

**Parts List**

<u>Qty.</u>	<u>Model #</u>	<u>Description</u>
3	A0350	Amplifier, In Wall 100 Watt Class D Amp w/ Cat5 audio and Local Source Input
3	A0129	Keypad Controller for Single Room Systems
3	AB-303	Bluetooth Input Module
2	OS611	6.5" Soprano Series Marine/Outdoor speaker (Pair) (For Patio/Porch)
1	IW614	6.5" Rectangular In Wall Speaker (Pair) (For Loft)



# Jeremy Hoffman Bonus Room

Parts List

Qty.	Model #	Description
1	A4603	Matrix AV Controller, 4-Sources to 6-Zone
1	A1260	Power Amplifier, 12 x 60 watts, Global or Zone Input
1	A0127W	Keypad Controller for ARIA A46xx, with IR Receiver (White)
1	Ab303	Wireless Bluetooth receiver module
1	Breakout Plate	A0316 Breakout Plate
1	056-009	15VDC power supply for breakout plate
4	IC815	8" In Ceiling Speaker (pair)

