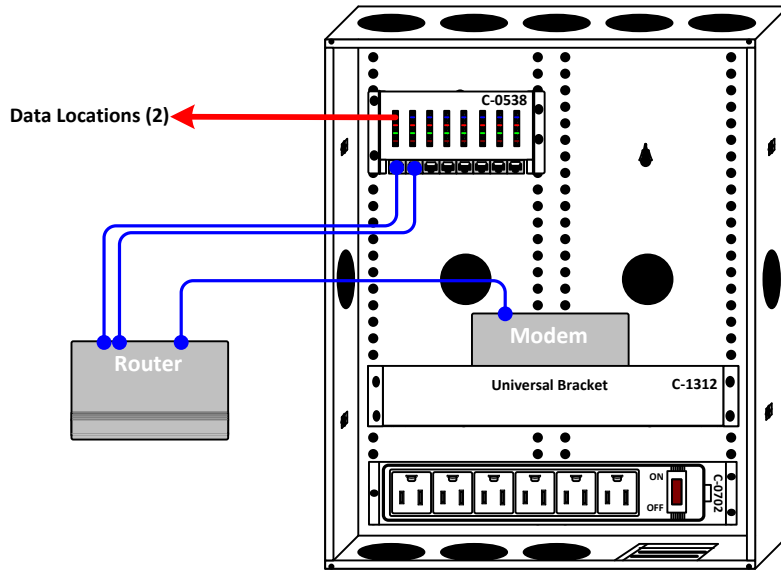


Date: 5/4/2015  
Sheet #: 1 of 2  
Drawing #: COM0S0T0TE0D2A3  
Design Example Not to Scale

# Murrays House Channel Vision Technology

## Parts List

| <u>Qty.</u> | <u>Model #</u> | <u>Description</u>                           | <u>MSRP</u> |
|-------------|----------------|--|-------------|
| 1           | C-0119E        | 19" Enclosure only                           | \$63.00/ea  |
| 1           | C-0119HC       | 19" Hinged Cover for C-0119E                 | \$33.00/ea  |
| 1           | C-0538         | 8-Port CAT5/6 Data Patch Panel               | \$78.00/ea  |
| 1           | C-1312         | Universal product holder 11.25"(L) x 3.25(H) | \$29.50/ea  |
| 1           | C-0702         | Bracket and Power Strip; 6 Outlets           | \$28.00/ea  |



# Murrays House Channel Vision Technology

**Parts List**

| <u>Qty:</u> | <u>Part:</u> | <u>Description:</u>   | <u>MSRP:</u> |
|-------------|--------------|---|--------------|
| 3           | A0127W       | Keypad Controller for ARIA A46xx, with IR Receiver (White)      | \$66.00/ea   |
| 1           | A4623        | Amplified AV System, 4-Sources to 6-Zones; Supports IR & RS-232 | \$1590.00/ea |
| 3           | IC815        | In-ceiling 8" Soprano high performance speaker (pair)           | \$188.00/ea  |

