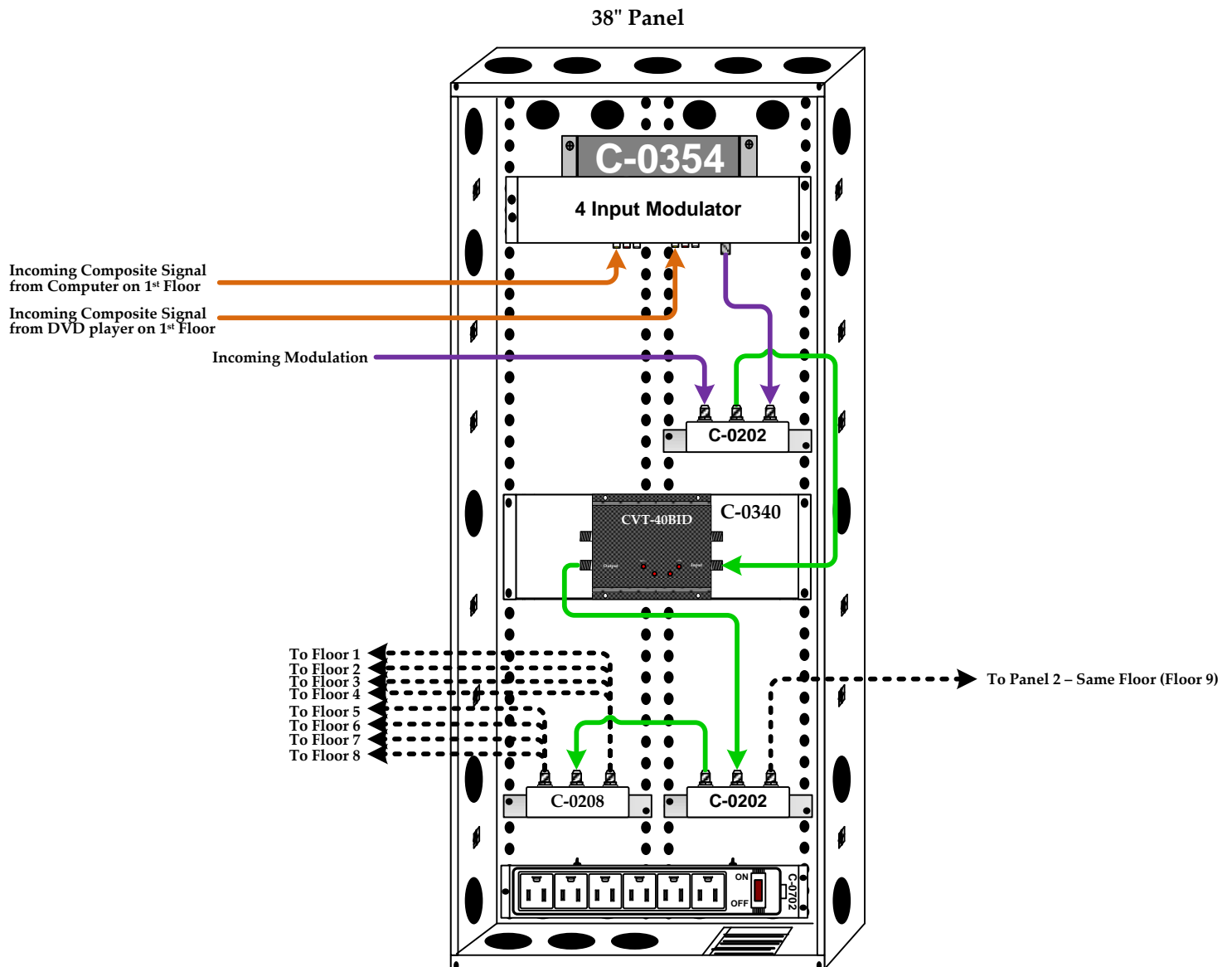


BSMKS

Channel Vision Central Floor 9 Panel 1

Parts List

Qty.	Model Number	Product Description
8	C-0138E	38" Enclosure only
8	C-0138D	Smoke Plexi Hinged Door 38" (L) x 14" (W)
1	C-0128E	28" Enclosure Only
1	C-0128D	Smoke Plexi Hinged Door 28" (L) x 14" (W)
1	C-0119E	19" Enclosure only
1	C-0119HC	19" Hinged Cover for C-0119E
1	C-0354	4 Input Modulator with Bracket, built in IR engine
9	C-0340	CVT-40BID amplifier, bracket mounted for panel
2	C-0202	1 In 2 Out RF Splitter, 5-1000MHz, 3.5dB loss
8	C-0204	1 In 4 Out RF Splitter, 5-1000MHz, 7dB loss
26	C-0208	1 In 8 Out RF Splitter, 5-1000MHz, 11dB loss
9	C-0702	Bracket and Power Strip; 6 Outlets
20	2101	F-male terminator 75 ohm



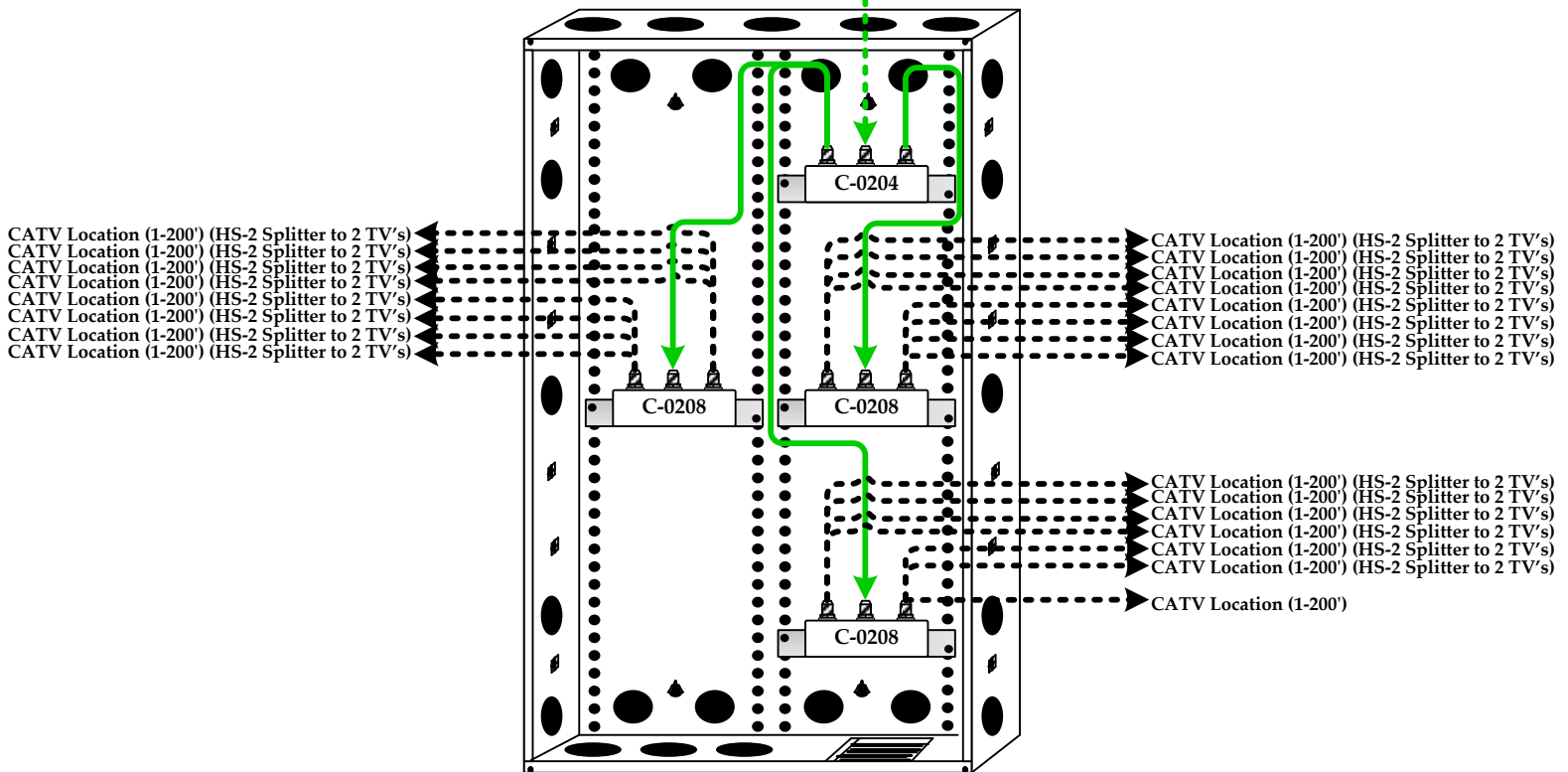
BSMKS Channel Vision Central Floor 9 Panel 2

*Full parts list on page 1

22 Standard Rooms – 2 TV's per room = 44 TV's
1 Day Room – 1 TV
45 Total TV Drops

28" Panel

From Floor 9 Panel 1

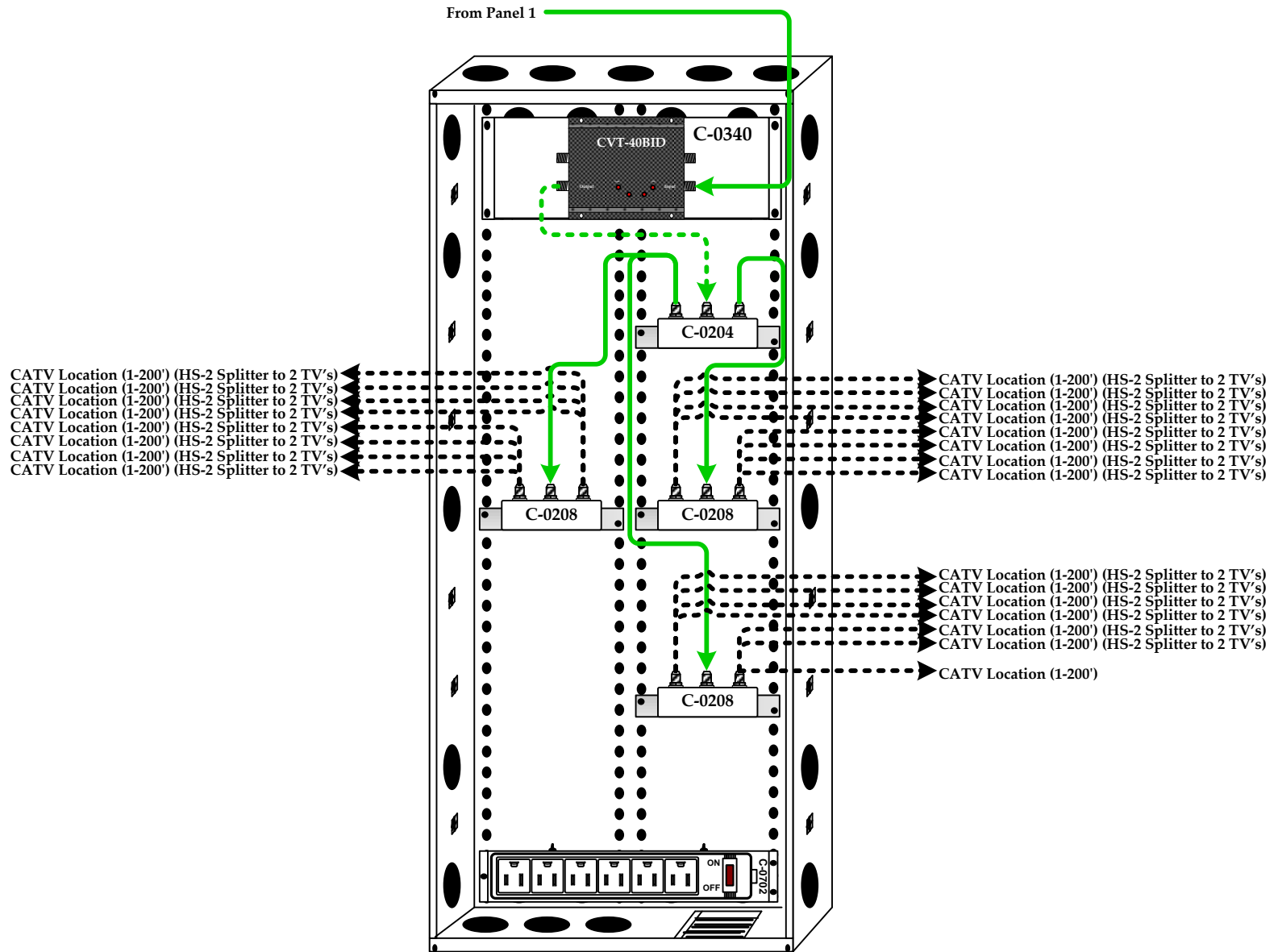


BSMKS Channel Vision Central Floor 8 Panel

*Full parts list on page 1

22 Standard Rooms – 2 TV's per room = 44 TV's
1 Day Room – 1 TV
45 Total TV Drops

38" Panel

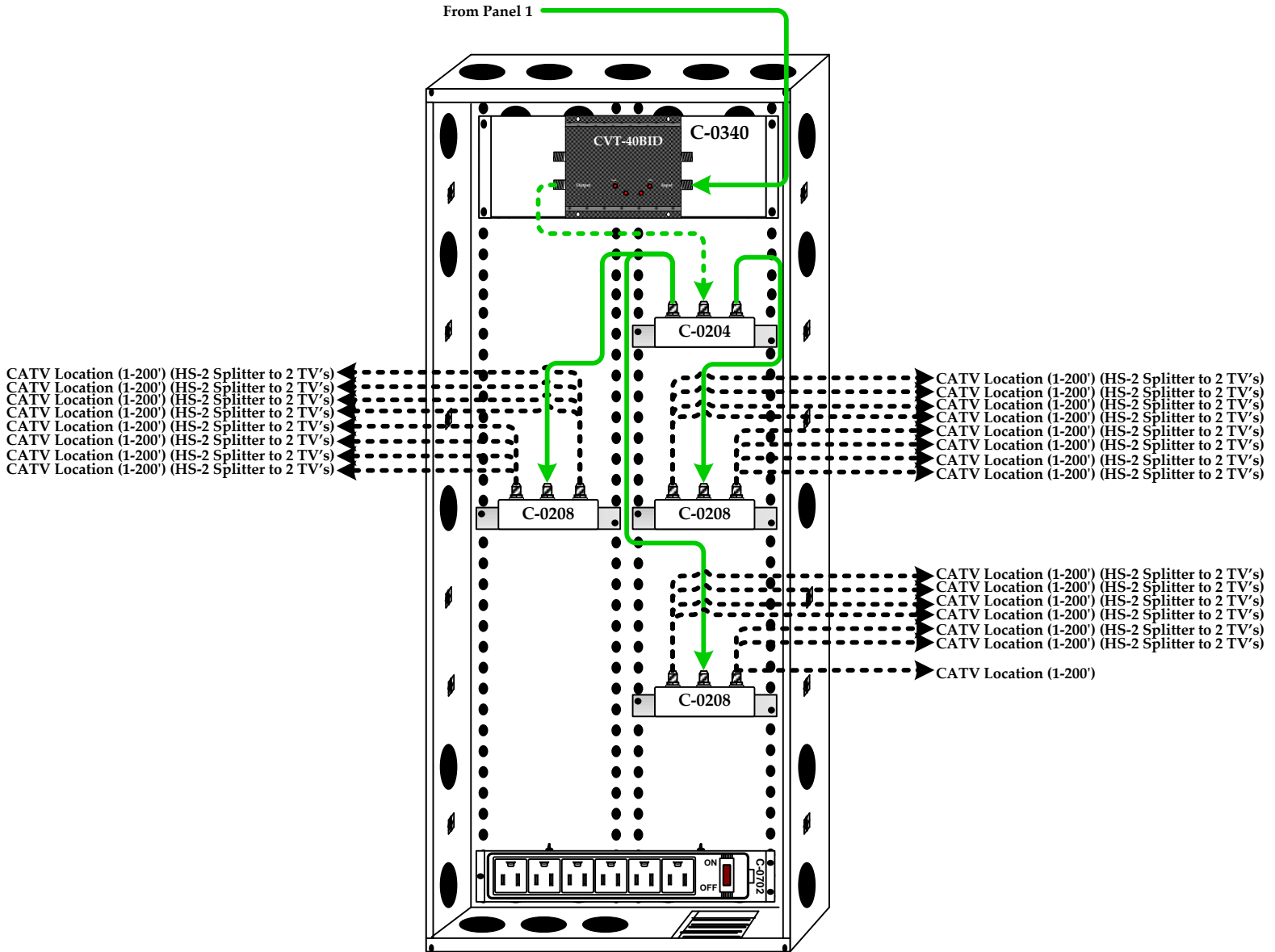


BSMKS Channel Vision Central Floor 7 Panel

*Full parts list on page 1

22 Standard Rooms – 2 TV's per room = 44 TV's
1 Day Room – 1 TV
45 Total TV Drops

38" Panel



BSMKS Channel Vision Central Floor 1 Panel

*Full parts list on page 1

1 Day Room - 1 TV

4 Total TV Drops required

19" Panel

