

 **CHANNEL VISION™**
10 Year Limited Warranty

Channel Vision Technology will repair or replace any defect in material or workmanship which occurs during normal use of this product with new or rebuilt parts, free of charge in the USA, for ten years from the date of original purchase. This is a no hassle warranty with no mail in warranty card needed. This warranty does not cover damages in shipment, failures caused by other products not supplied by Channel Vision Technology, or failures due to accident, misuse, abuse, or alteration of the equipment. This warranty is extended only to the original purchaser, and a purchase receipt, invoice, or other proof of original purchase date will be required before warranty repairs are provided.

Mail in service can be obtained during the warranty period by calling (800) 840-0288 toll free. A Return Authorization number must be obtained in advance and can be marked on the outside of the shipping carton.

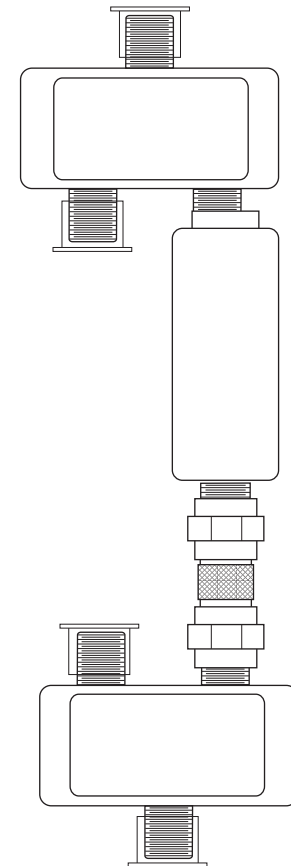
This warranty gives you specific legal rights and you may have other rights (which vary from state to state). If a problem with this product develops during or after the warranty period, please contact Channel Vision Technology, your dealer or any factory-authorized service center.

 **CHANNEL VISION™**
channelvision.com

234 Fischer Avenue, Costa Mesa, California 92626
(714)424-6500 • (800)840-0288 • (714)424-6510 fax

500-108 rev B1

INSTRUCTIONS



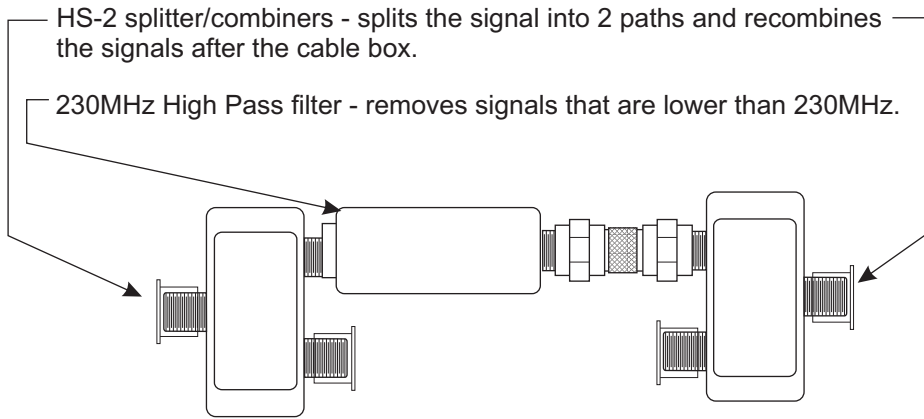
 **CHANNEL VISION™**
3101
CABLE BOX COMBINER

 **CHANNEL VISION™**

©2005 CHANNEL VISION TECHNOLOGY

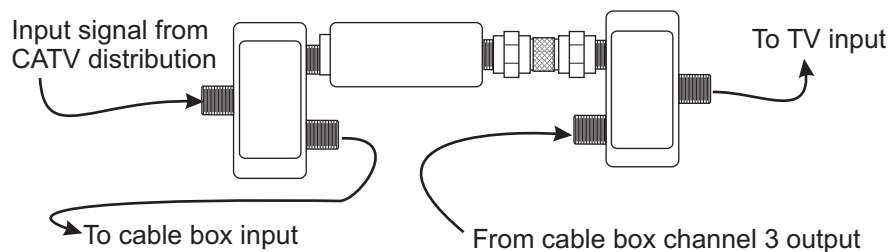
The **3101** allows your modulated signals to be routed around the cable box and connected to the TV's RF input. Without the 3101, your signal may be blocked by the cable box. For many installations, the 3101 is required.

- Enables modulated signals to bypass the cable box
- Simple connections
- Quick and easy installation

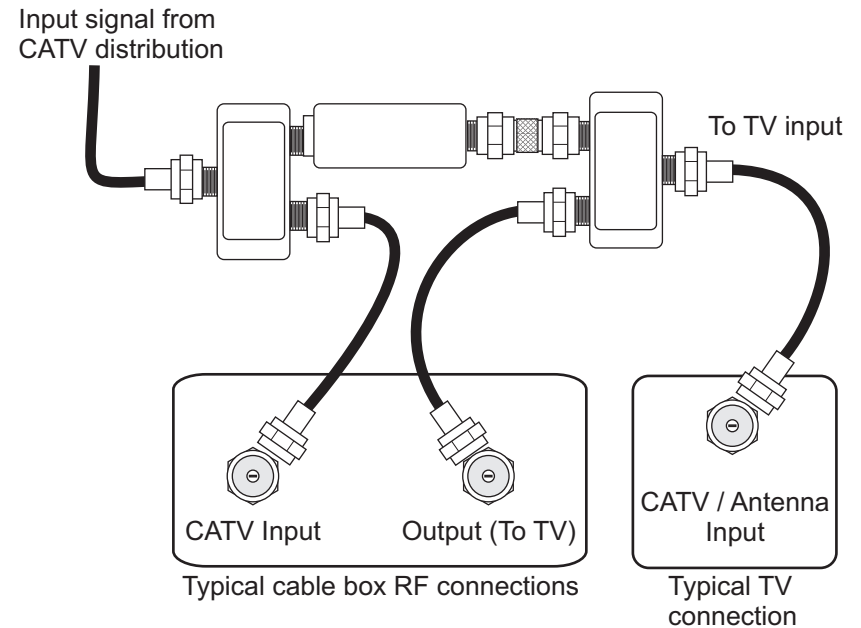


Theory of Operation

This device provides an alternative path for your modulated signal to flow around your cable box. Without it, most cable boxes will block the modulated signal. The signals entering the 3101 will include all cable signals as well as your modulated signal. The signal is split into two branches: one goes into the cable box, and the other flows through a filter that removes cable channels 2-25. The cable box will act as the tuner for all CATV programming, and its signal will be output on channel 3. The cable box output will be combined with the filtered output. The filtering is required to prevent the pre-existing channel 3 from interfering with the channel 3 created by the cable box. Your modulated signal will be higher than cable channel 25 and will not be affected by the filter.



Connection Diagram



Operating Instructions

To view modulated channels:

Change the TV channel (*not the cable box channel*) to the modulated channel.

When you want to go back to regular cable TV programming, change the TV (*not the cable box*) to channel 3.

To view regular TV programming:

Leave the TV (*not the cable box*) on channel 3 and change channels on the cable box to select your desired program.