

# CHANNEL VISION™

## 10 Year Limited Warranty

Channel Vision Technology will repair or replace any defect in material or workmanship which occurs during normal use of this product with new or rebuilt parts, free of charge in the USA, for ten years from the date of original purchase. This is a no hassle warranty with no mail in warranty card needed. This warranty does not cover damages in shipment, failures caused by other products not supplied by Channel Vision Technology, or failures due to accident, misuse, abuse, or alteration of the equipment. This warranty is extended only to the original purchaser, and a purchase receipt, invoice, or other proof of original purchase date will be required before warranty repairs are provided.

Mail in service can be obtained during the warranty period by calling (800) 840-0288 toll free. A Return Authorization number must be obtained in advance and can be marked on the outside of the shipping carton.

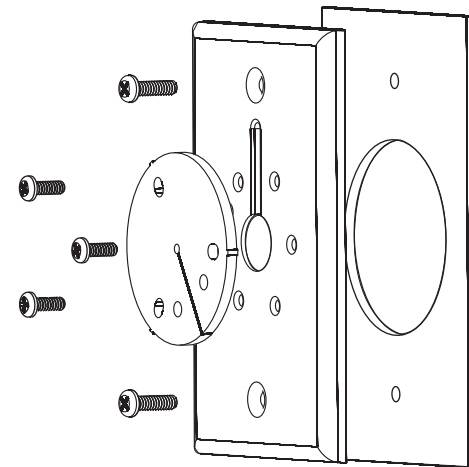
This warranty gives you specific legal rights and you may have other rights (which vary from state to state). If a problem with this product develops during or after the warranty period, please contact Channel Vision Technology, your dealer or any factory-authorized service center.

CHANNEL VISION™  
[www.channelvision.com](http://www.channelvision.com)

234 Fischer Avenue, Costa Mesa, California 92626 USA  
(714)424-6500 • (800)840-0288 • (714)424-6510 fax  
email: [techsupport@channelvision.com](mailto:techsupport@channelvision.com)

500-206 rev B

# INSTRUCTIONS



## 5032 Camera Mounting Plate

CHANNEL VISION™  
©2008 CHANNEL VISION TECHNOLOGY

The **5032** allows you to mount any of Channel Vision's bullet cameras on to a standard single gang junction box. The black powder coated finish is a perfect match for black camera housings, and the clever wire management slot allows for a clean and professional installation.

**Features:**

- Easily mounts bullet cameras to a standard junction box
- Black powder coated finish
- Integrated wire management

**Mounting Plate...**

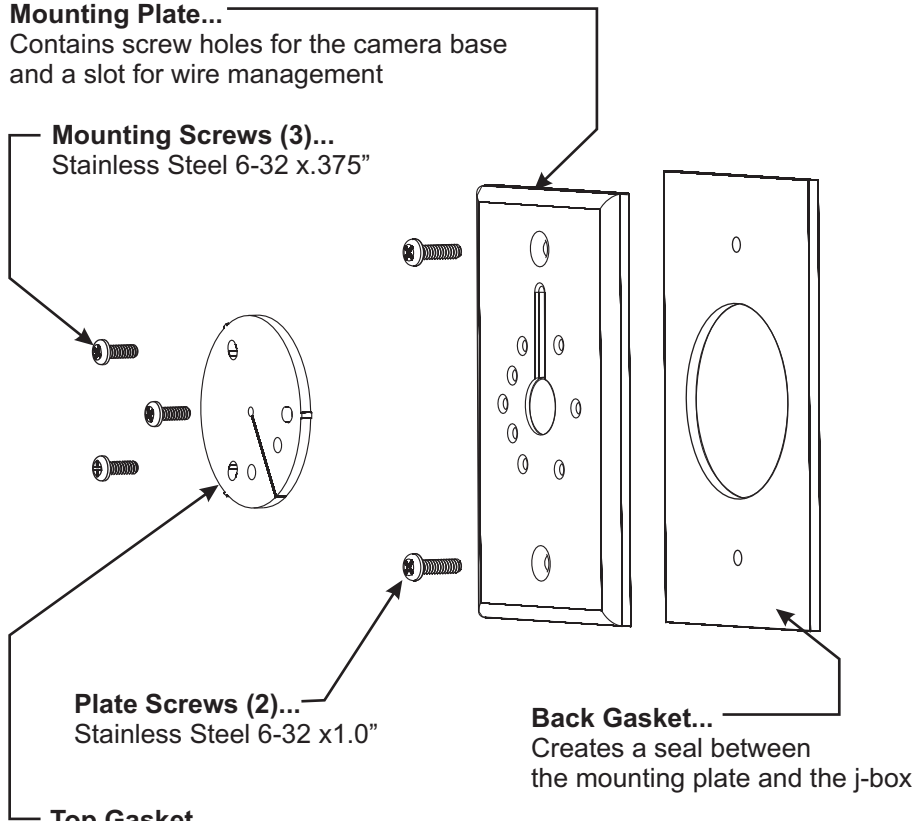
Contains screw holes for the camera base and a slot for wire management

**Mounting Screws (3)...**  
Stainless Steel 6-32 x.375"

**Plate Screws (2)...**  
Stainless Steel 6-32 x1.0"

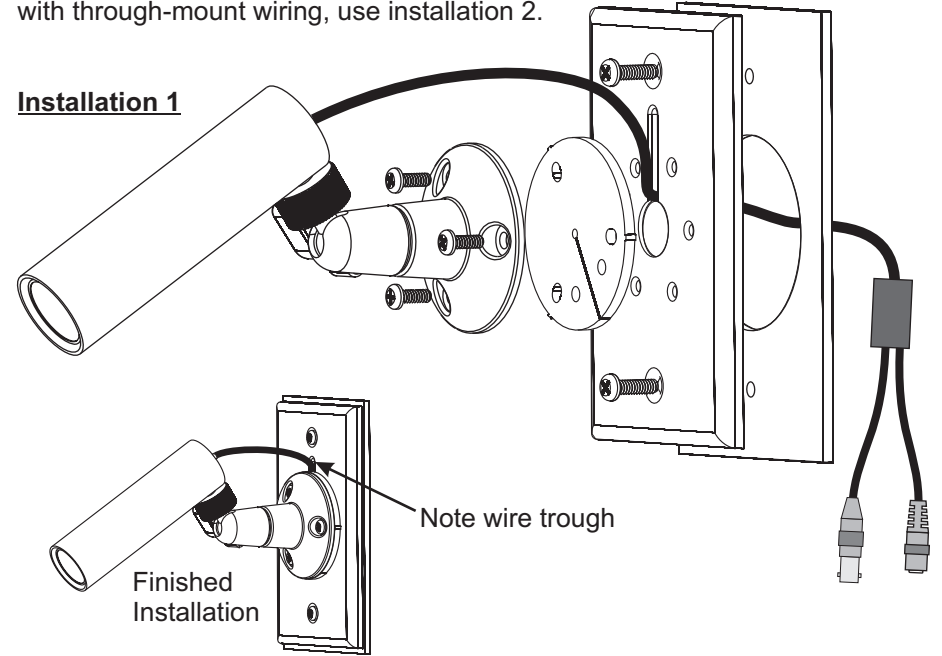
**Top Gasket...**  
Creates a seal between the camera base and the mounting plate

**Back Gasket...**  
Creates a seal between the mounting plate and the j-box



**Installation:** For standard bullet cameras, use installation 1. For cameras with through-mount wiring, use installation 2.

**Installation 1**



**Installation 2**

