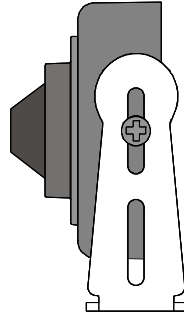
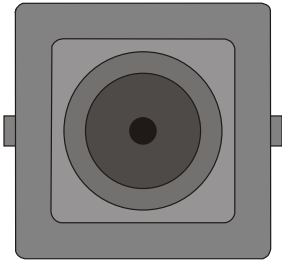
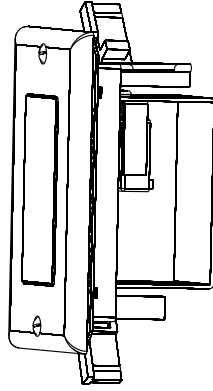
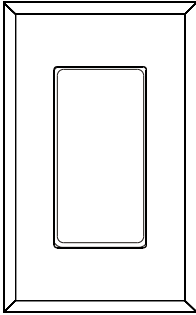


# INSTRUCTIONS



**6404**

**Color Hi-res WDR Mini Camera**

**6204-xxx**

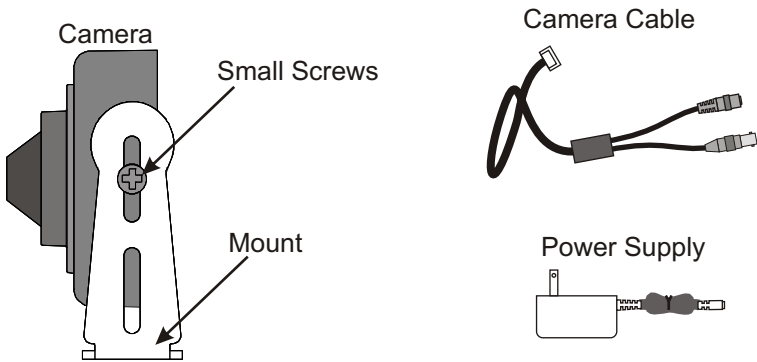
**Single Gang Color Hi-res WDR Mini Camera**

The **6404** is a high-resolution mini pinhole camera. Its extremely small size and cone-shaped lens make it ideal for hidden and inconspicuous CCTV installations. Typical applications include door stations, small flush-mount camera assemblies, and hidden camera installations.

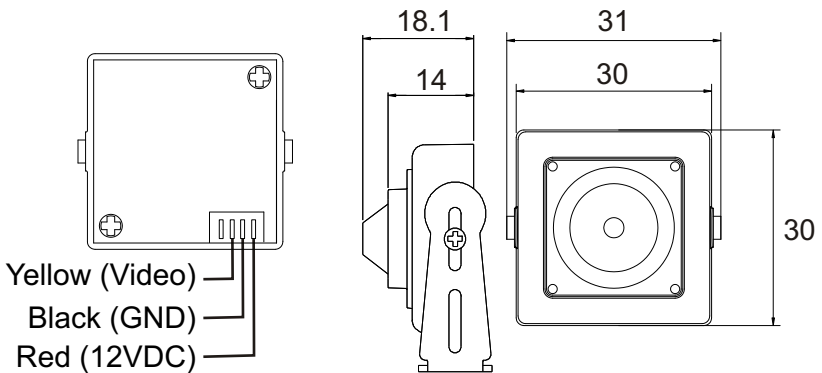
Features:

- High quality 1/3" SONY Super HAD CCD sensor II
- 560 TV lines of resolution
- 5.5mm lens for tight viewing angles
- WDR

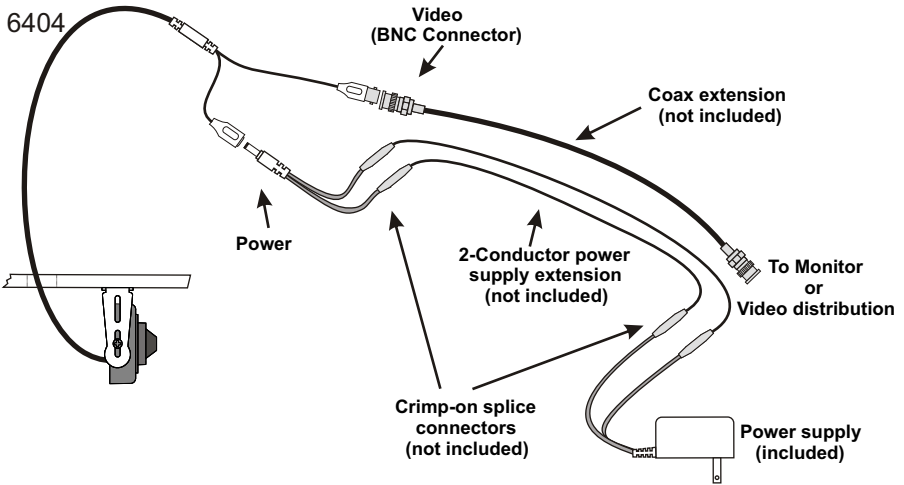
6404 Mini Pinhole Camera Includes



Dimensions



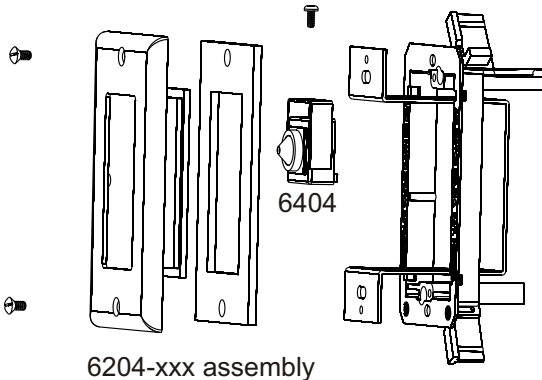
# Model 6404/6204-xxx



## Installation:

- Attach the camera mount to a flat surface using the mounting hole shown above.
- Drill a hole in the wall, ceiling, or use the hole in the 6204-xxx bracket for wiring (see diagram).
- If necessary, attach the camera's video output to a coax extension that is long enough to reach your monitor or video distribution equipment.
- If necessary, cut the connector off of the end of the power supply and splice in an extension using crimp-on connectors.

6404 is also used in the 6204-xxx single gang color camera assembly.



# CHANNEL VISION™

## \*Specifications:

Image Sensor:	1/3" SONY Super HAD CCD
Scanning Frequency:	NTSC 15.734KHz (H) 59.94Hz(V)
Resolution:	560 TV Lines
Total Pixels:	NTSC 811 (H) x 508 (V)
Effective Pixels:	NTSC 768 (H) x 494 (V)
S/N:	More than 52dB
Min. Illumination:	0.1 Lux@F2.0 (0.0002 Lux)
Sync System:	Internal
Gamma:	Y=0.45
Video Output:	1,0 Vpp Composite (75 Ohms)
Lens:	5.5mm P4
Electronic Shutter:	NTSC: 1/60 - 1/120,000 sec
WDR:	Yes
AGC	Off, On (Low, Middle, High)
Day & Night:	Auto, Color, BW selectable
Motion Detection:	Off, On (Area select)
Privacy Masking:	Off, On (192 zone selection)
Languages:	English, Chinese
OSD:	Yes
White Balance:	AWB, ATW, AWC-Push, manual
3D-DNR	0-6 Setting
Digital Zoom:	x1 - x10
Digital Effect	Off, V-Flip, Mirror
Operating Temperature:	14° - 122° F
Humidity:	Less than 80%
Power Consumption:	12vDC Max 100mA
Dimensions:	0.98" x 0.98"
Weight:	Approximately 72g

\*Specifications subject to change without notice

## **1 Year Limited Warranty**

Channel Vision Technology will repair or replace any defect in material or workmanship which occurs during normal use of this product with new or rebuilt parts, free of charge in the USA, for one year from the date of original purchase. This is a no hassle warranty with no mail in warranty card needed. This warranty does not cover damages in shipment, failures caused by other products not supplied by Channel Vision Technology, or failures due to accident, misuse, abuse, or alteration of the equipment. This warranty is extended only to the original purchaser, and a purchase receipt, invoice, or other proof of original purchase date will be required before warranty repairs are provided.

Mail in service can be obtained during the warranty period by calling (800) 840-0288 toll free. A Return Authorization number must be obtained in advance and can be marked on the outside of the shipping carton.

This warranty gives you specific legal rights and you may have other rights (which vary from state to state). If a problem with this product develops during or after the warranty period, please contact Channel Vision Technology, your dealer or any factory-authorized service center.

Channel Vision products are not intended for use in medical, lifesaving, life sustaining or critical environment applications. Channel Vision customers using or selling Channel Vision products for use in such applications do so at their own risk and agree to fully indemnify Channel Vision for any damages resulting from such improper use or sale.

 **CHANNEL VISION™**  
**www.channelvision.com**

234 Fischer Avenue, Costa Mesa, California 92626 USA  
(714)424-6500 • (800)840-0288 • (714)424-6510 fax  
email: techsupport@channelvision.com