

CHANNEL VISION
Limited Warranty

Channel Vision Technology will repair or replace any defect in material or workmanship which occurs during normal use of this product with new or rebuilt parts, free of charge in the USA, for two years from the date of original purchase. This is a no hassle warranty with no mail in warranty card needed. This warranty does not cover damages in shipment, failures caused by other products not supplied by Channel Vision Technology, or failures due to accident, misuse, abuse, or alteration of the equipment. This warranty is extended only to the original purchaser, and a purchase receipt, invoice, or other proof of original purchase date will be required before warranty repairs are provided.

Mail in service can be obtained during the warranty period by calling (800) 840-0288 toll free. A Return Authorization number must be obtained in advance and can be marked on the outside of the shipping carton.

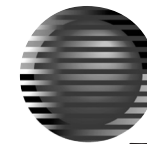
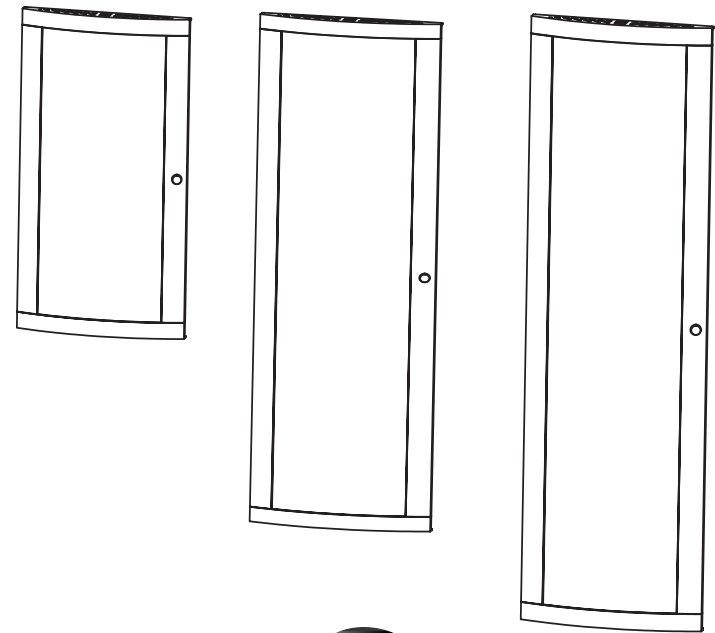
This warranty gives you specific legal rights and you may have other rights (which vary from state to state). If a problem with this product develops during or after the warranty period, please contact Channel Vision Technology, your dealer or any factory-authorized service center.

500-084 RevB

C-0128D, C-0138D, & C-0150D

Designer hinged door for use
with enclosures:

C-0128E, C-0138E, & C-0150E



CHANNEL VISION™

234 Fischer Avenue · Costa Mesa, CA 92626
(714) 424-6500 · (800) 840-0288 · (714) 424-6510 fax
www.channelvision.com · email: sales @ channelvision.com

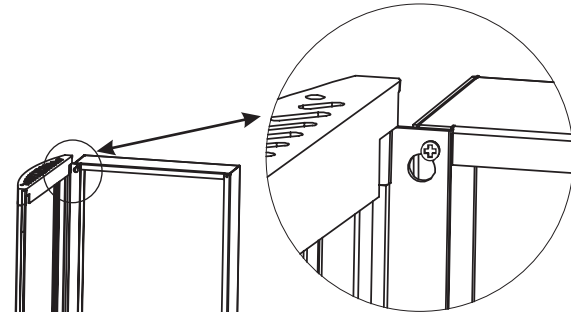
The C-0128D, C-0138D, & C-0150D designer hinged doors provide an attractive alternative to the standard white sheet metal covers typically used on structured wire enclosures. The extruded aluminum frame and charcoal plexiglass window create a high-tech look that showcases the advanced technology within the enclosure.

Features:

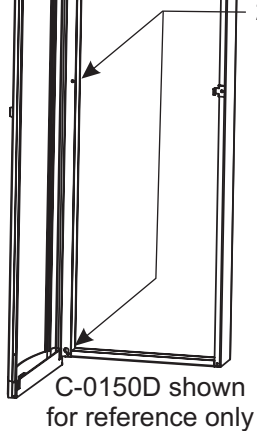
- Light weight and easy to install
- Hinges from either left or right side
- Cooling vents in top and bottom
- Fan kit (model C-1322) is available for increased air circulation

Installation:

1. Install screw into upper corner of enclosure and hang the door on the screw using the slotted screw hole on its hinge.

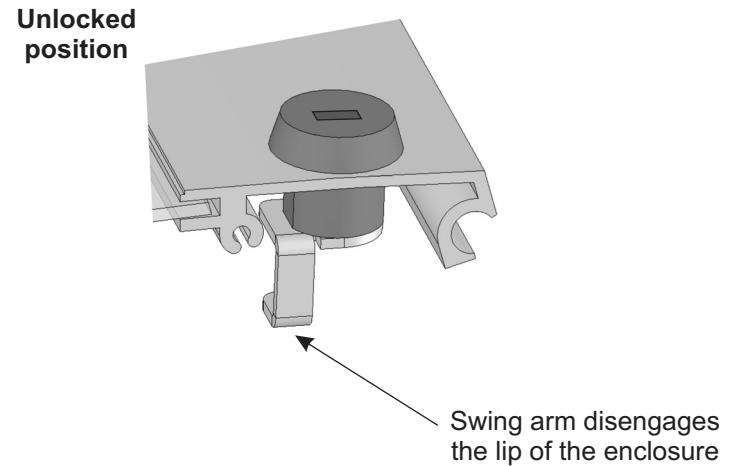
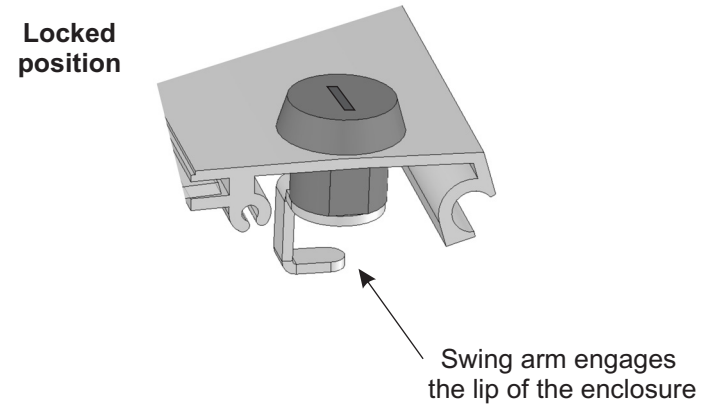


2. Install screws in the middle and bottom of hinge. (Note: C-0128D does not have a bottom screw)



The lock mechanism:

Note the position of the swing arm.



Universal keys:

A universal key is supplied with all of the lock mechanisms above. If the key is lost, it can be replaced with another standard key from Channel Vision.