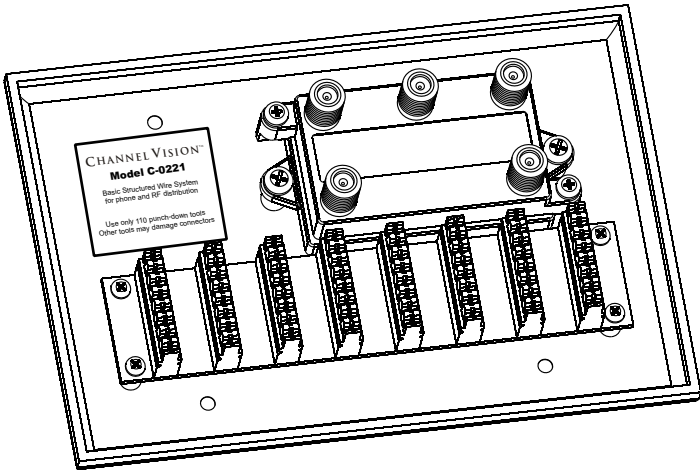


INSTRUCTIONS



C-0221 **Basic Structured Wire Module**

 CHANNEL VISION™
CENTRAL

©2005 CHANNEL VISION TECHNOLOGY

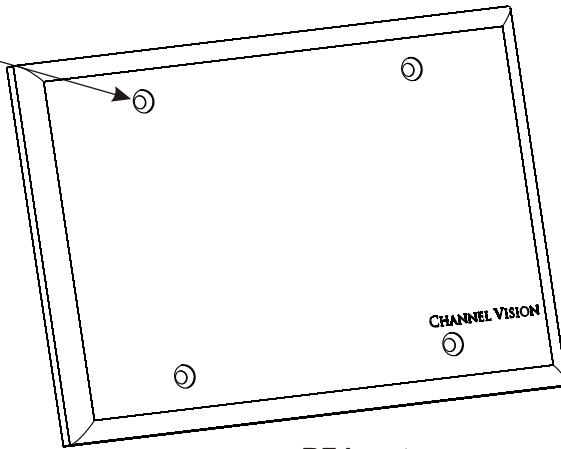
The **C-0221** is a basic structured wiring system that mounts in a standard 3-gang low-voltage ring. When viewed from the front, it appears to be a blank 3-gang cover plate. Mounted to the back you will find everything needed to satisfy the basic structured wiring needs of a small or medium-sized home. The 1x4 RF splitter provides TV signals to 4 locations while the bridged phone module can distribute up to 4 CO lines out to as many as 7 phone locations.

Features:

- 1 in 4 out RF splitter for TV signal distribution
- Telephone distribution with 110 connectors: 4 CO lines to 7 locations
- Compatible with standard 3-gang low-voltage rings
- Cost effective and easy to install

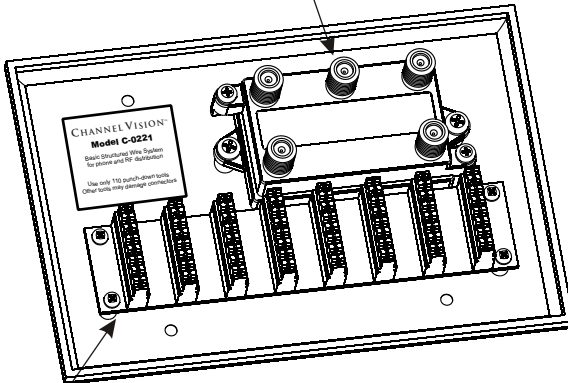
Screw holes (4)...

Allow the C-0221 to be mounted to a standard 3-gang low-voltage ring.



RF Input...

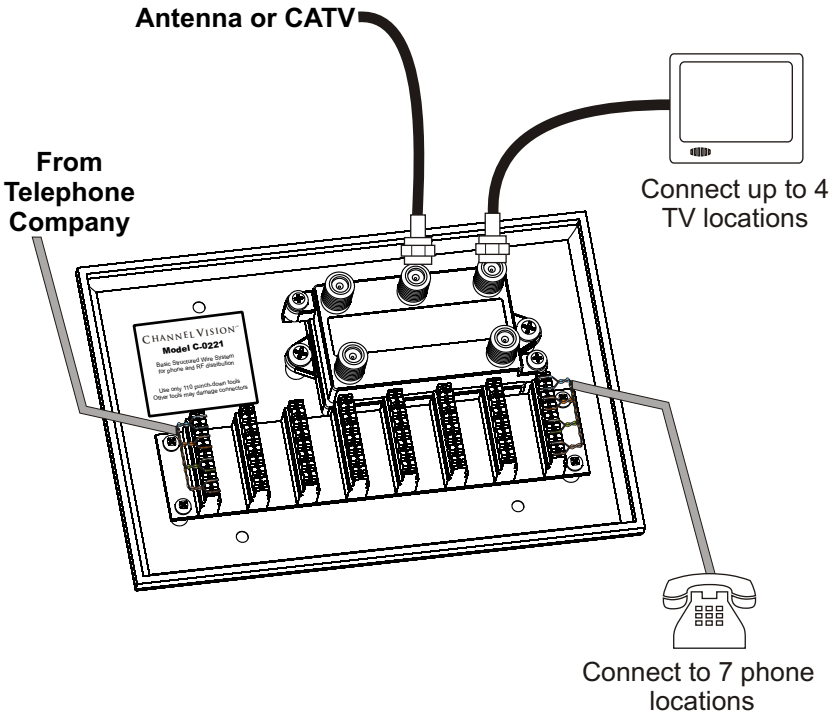
Connect CATV or antenna signals here.



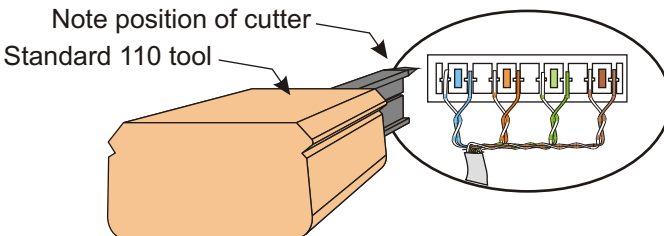
8 Bridged 110 connectors...

Allows quick installation of phone wiring.

Typical Application



Using the 110 connectors



Caution: Be sure to use a standard 110 punch tool when connecting CAT5 wire to the 110 connectors. Using make-shift tools such as screwdrivers will cause the connector to become damaged and make the connection unreliable. Punch down as many as 4 incoming telephone lines on the input 110 punch-down as shown. Use a 110 punch-down tool to seat and trim all wires.



CHANNEL VISION™
10 Year Limited Warranty

Channel Vision Technology will repair or replace any defect in material or workmanship which occurs during normal use of this product with new or rebuilt parts, free of charge in the USA, for ten years from the date of original purchase. This is a no hassle warranty with no mail in warranty card needed. This warranty does not cover damages in shipment, failures caused by other products not supplied by Channel Vision Technology, or failures due to accident, misuse, abuse, or alteration of the equipment. This warranty is extended only to the original purchaser, and a purchase receipt, invoice, or other proof of original purchase date will be required before warranty repairs are provided.

Mail in service can be obtained during the warranty period by calling (800) 840-0288 toll free. A Return Authorization number must be obtained in advance and can be marked on the outside of the shipping carton.

This warranty gives you specific legal rights and you may have other rights (which vary from state to state). If a problem with this product develops during or after the warranty period, please contact Channel Vision Technology, your dealer or any factory-authorized service center.



CHANNEL VISION™
channelvision.com

234 Fischer Avenue, Costa Mesa, California 92626
(714)424-6500 • (800)840-0288 • (714)424-6510 fax