

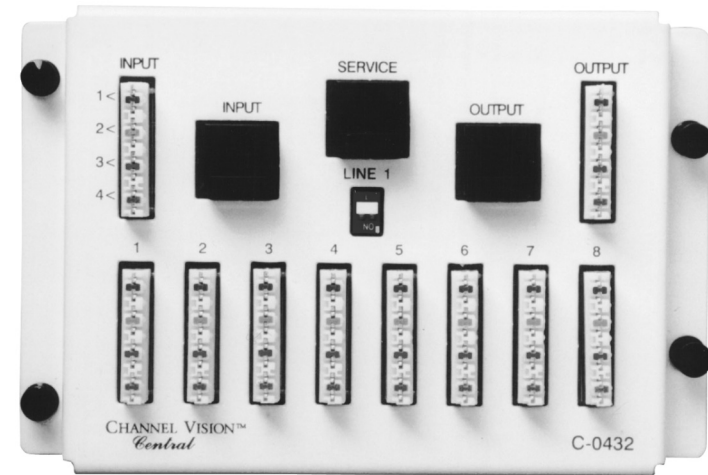
## 10 Year Limited Warranty

Channel Vision Technology will repair or replace any defect in material or workmanship which occurs during normal use of this product with new or rebuilt parts, free of charge in the USA, for ten years from the date of original purchase. This is a no hassle warranty with no mail in warranty card needed. This warranty does not cover damages in shipment, failures caused by other products not supplied by Channel Vision Technology, or failures due to accident, misuse, abuse, or alteration of the equipment. This warranty is extended only to the original purchaser, and a purchase receipt, invoice, or other proof of original purchase date will be required before warranty repairs are provided.

Mail in service can be obtained during the warranty period by calling (800) 840-0288 toll free. A Return Authorization number must be obtained in advance and can be marked on the outside of the shipping carton.

This warranty gives you specific legal rights and you may have other rights (which vary from state to state). If a problem with this product develops during or after the warranty period, please contact Channel Vision Technology, your dealer or any factory-authorized service center.

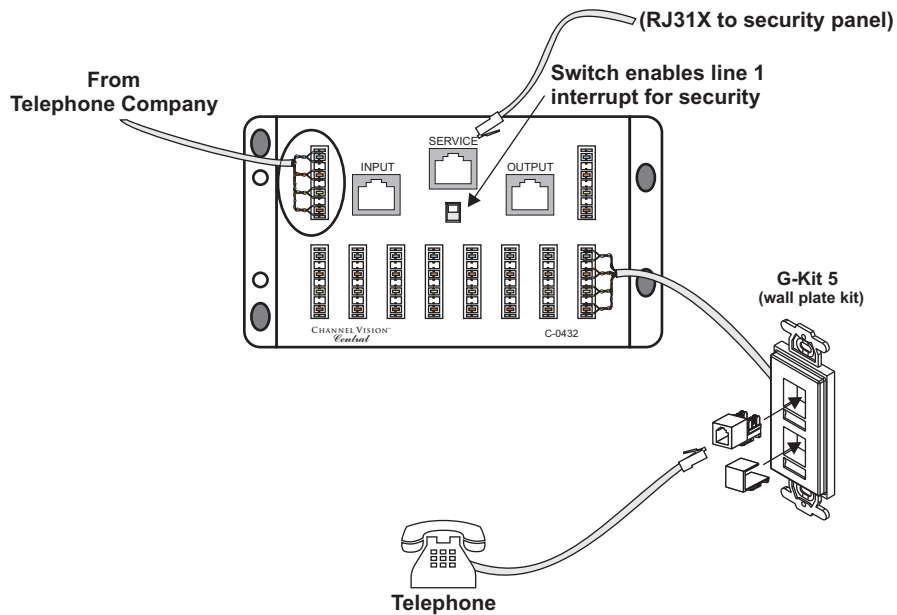
Channel Vision products are not intended for use in medical, lifesaving, life sustaining or critical environment applications. Channel Vision customers using or selling Channel Vision products for use in such applications do so at their own risk and agree to fully indemnify Channel Vision for any damages resulting from such improper use or sale.



## C-0432 Phone Distribution Module

# Model C-0432

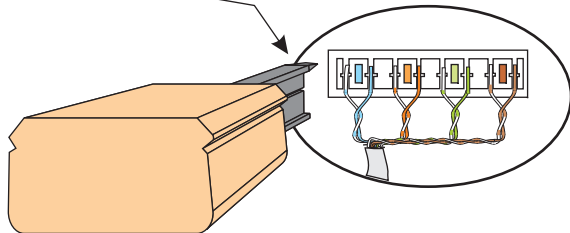
## Telephone distribution module



### Installation:

Punch down as many as 4 incoming telephone lines on the input 110 punch-down as shown. Use a 110 punch-down tool to seat and trim all wires

Note position of cutter



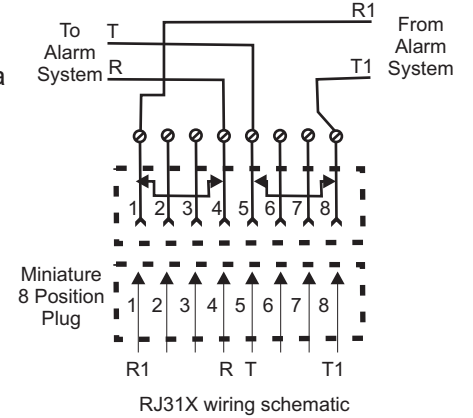
Connect any of the telephone outputs to wall plates in each room (see diagram).

### Using the service jack:

This jack is used to send dial tone to an alarm panel and then return dial tone the phone distribution system on a single 8 position plug.

The center pair (blue and blue white) delivery dial to the alarm system. Dial tone returns on the outer conductors (brown and green white\*)

\*Color code references assume the use of TIA 568A color scheme.



### Features:

**Compact Design**

**Simple connections**

**Line 1 interrupt for security systems**

**Telephone distribution to 8 locations**

**Loop out connections for easy expansion**

### Specifications:

**Telco inputs:** 2 (one RJ-45 and one 110)

**Loop outputs:** 2 (one RJ-45 and one 110)

**110 connectors:** 10

**Dimensions:** 4.0" L x 6.38" W x 1.75" D

Specifications subject to change without notice.