

CHANNEL VISION™

10 Year Limited Warranty

Channel Vision Technology will repair or replace any defect in material or workmanship which occurs during normal use of this product with new or rebuilt parts, free of charge in the USA, for ten years from the date of original purchase. This is a no hassle warranty with no mail in warranty card needed. This warranty does not cover damages in shipment, failures caused by other products not supplied by Channel Vision Technology, or failures due to accident, misuse, abuse, or alteration of the equipment. This warranty is extended only to the original purchaser, and a purchase receipt, invoice, or other proof of original purchase date will be required before warranty repairs are provided.

Mail in service can be obtained during the warranty period by calling (800) 840-0288 toll free. A Return Authorization number must be obtained in advance and can be marked on the outside of the shipping carton.

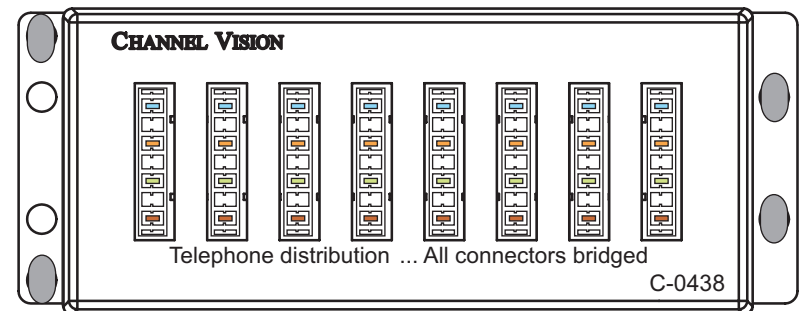
This warranty gives you specific legal rights and you may have other rights (which vary from state to state). If a problem with this product develops during or after the warranty period, please contact Channel Vision Technology, your dealer or any factory-authorized service center.

CHANNEL VISION™
channelvision.com

234 Fischer Avenue, Costa Mesa, California 92626
(714)424-6500 • (800)840-0288 • (714)424-6510 fax

500-042 Rev B

INSTRUCTIONS



C-0438

Telephone Distribution Module

CHANNEL VISION™

©2007 CHANNEL VISION TECHNOLOGY

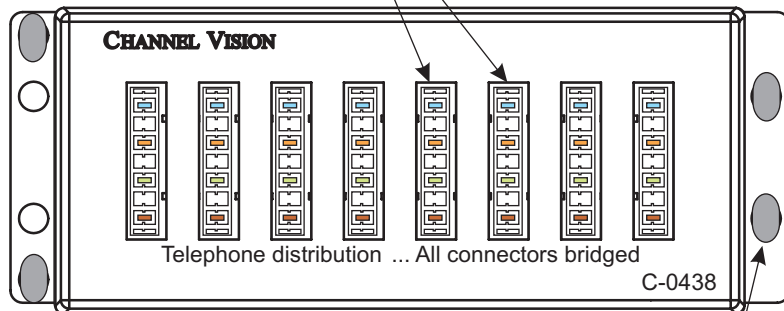
The C-0438 is a low-cost and easy-to-use telephone distribution module that delivers 4 CO lines to 7 phone locations. It can be used as a standalone phone distribution module or as an expansion module for larger phone systems. The 110 style connectors provide a quick and simple installation that will ensure long-lasting, trouble-free operation.

Features:

- Compatible with all Channel Vision structured wire enclosures
- Distributes 4 CO lines to 7 phone locations
- Compact design to save space
- Cost effective and easy to install

C-0438
(Front View)

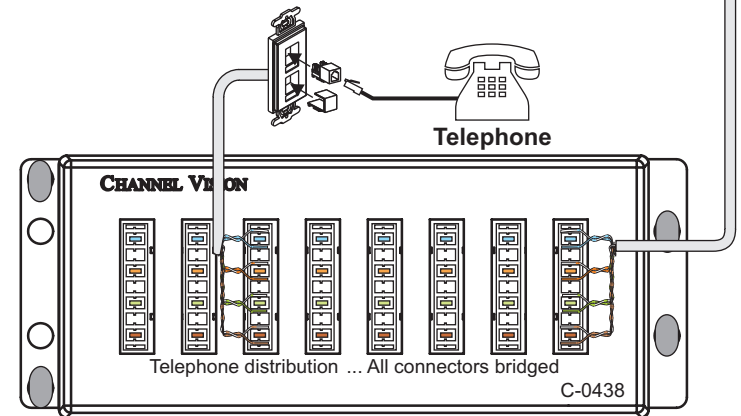
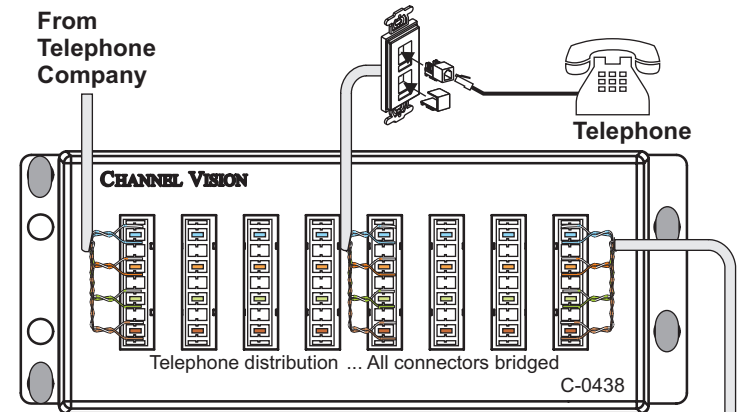
110 Connectors
All connections are parallel
(there is no "In" or "Out")



Snap Pins

Press into mounting holes in Channel Vision's structured wire enclosure

Typical Application



For large systems, use an additional unit for expansion

Installation:

- Punch down as many as 4 incoming telephone lines on any of the 110 punch down connectors.
- Connect the telephone wallplates in each room (see diagram). Up to 7 rooms can be connected by each C-0438.
- Connect telephone to wallplates.

Specifications:

- 110 connectors:** 8 (all bridged)
- Recommended wire:** CAT5 (22-24AWG)
- Dimensions:** 2.5"L x 6.38" W x 0.75" D

Specifications subject to change without notice.