

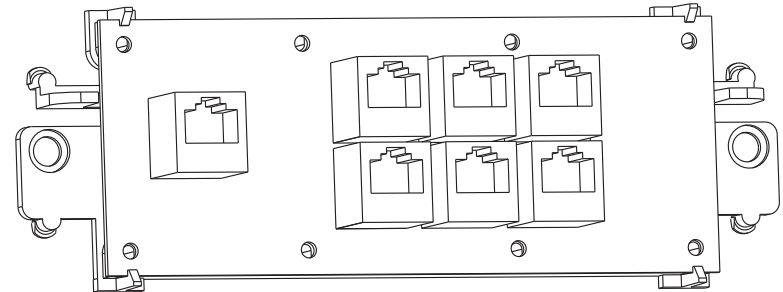
**10 Year Limited Warranty**

Channel Vision Technology will repair or replace any defect in material or workmanship which occurs during normal use of this product with new or rebuilt parts, free of charge in the USA, for ten years from the date of original purchase. This is a no hassle warranty with no mail in warranty card needed. This warranty does not cover damages in shipment, failures caused by other products not supplied by Channel Vision Technology, or failures due to accident, misuse, abuse, or alteration of the equipment. This warranty is extended only to the original purchaser, and a purchase receipt, invoice, or other proof of original purchase date will be required before warranty repairs are provided.

Mail in service can be obtained during the warranty period by calling (800) 840-0288 toll free. A Return Authorization number must be obtained in advance and can be marked on the outside of the shipping carton.

This warranty gives you specific legal rights and you may have other rights (which vary from state to state). If a problem with this product develops during or after the warranty period, please contact Channel Vision Technology, your dealer or any factory-authorized service center.

Channel Vision products are not intended for use in medical, lifesaving, life sustaining or critical environment applications. Channel Vision customers using or selling Channel Vision products for use in such applications do so at their own risk and agree to fully indemnify Channel Vision for any damages resulting from such improper use or sale.



**C-0476**  
**Economy Telephone Distribution Module**

The **C-0476** is an economical telephone module that distributes 4 Central Office lines to 6 locations. Vertical RJ-45 jacks allow convenient access to connections. The C-0476 is ideal for small and medium size installations which require 6 telephone locations or less. This module's compact design allows it to fit comfortably in even the smallest structured wiring enclosure.

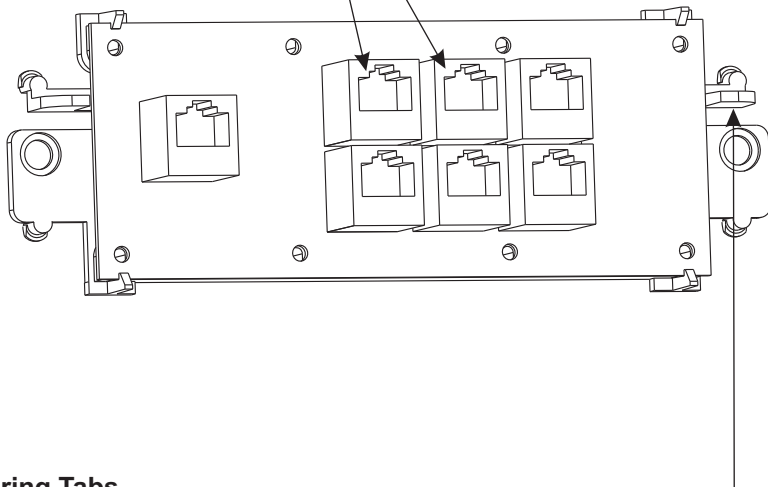
**Features:**

- Compatible with all Channel Vision structured wire enclosures
- Distributes 4 CO lines to 6 phone locations
- Compact design to save space
- Cost effective and easy to install

**C-0476  
(Front View)**

**RJ-45 Connectors**

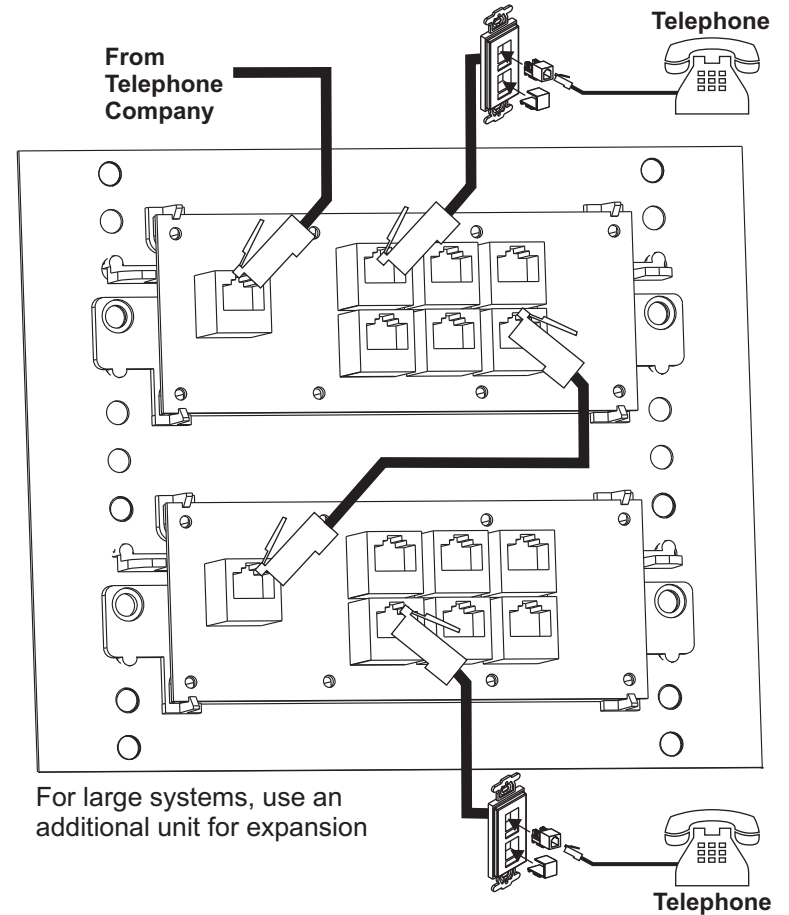
All connections are parallel  
(there is no "In" or "Out")



**Spring Tabs**

Press into mounting holes in Channel Vision's structured wire enclosure

## Typical Application



For large systems, use an additional unit for expansion

**Installation:**

- Using an RJ-45 plug to connect as many as 4 incoming telephone lines into the system.
- Connect the telephone wallplates in each room (see diagram). Up to 6 rooms can be connected by each C-0476.
- Connect telephone to wallplates.

**Specifications:**

- RJ-45 connectors:** 7 (all bridged)
- Recommended wire:** CAT5 (22-24AWG)
- Dimensions:** 2.0"L x 6.38" W x 1.0" D

Specifications subject to change without notice.