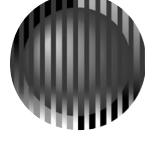
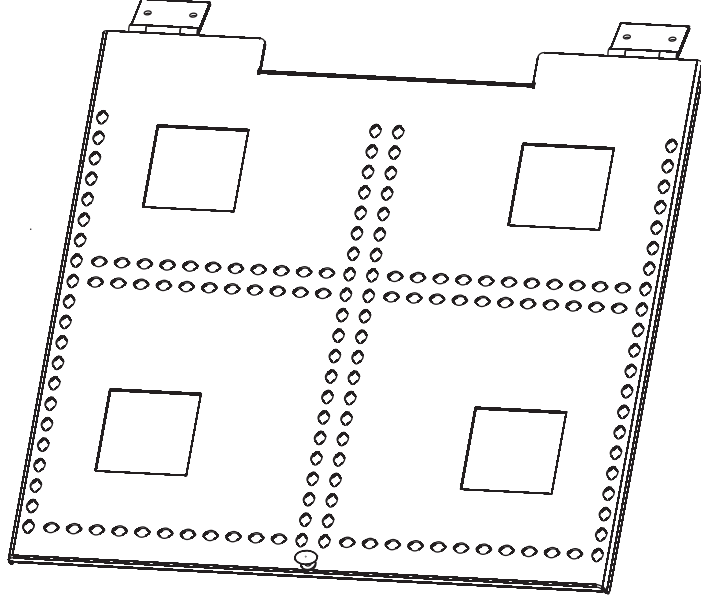


CHANNEL VISION™

Central

C-1321

Hinged Expansion Plate



CHANNEL VISION™

234 Fischer Avenue • Costa Mesa, CA 92626

(714) 424-6500 • (800) 840-0288 • (714) 424-6510 fax

www.channelvision.com • email: sales @ channelvision.com

CHANNEL VISION Limited Warranty

Channel Vision Technology will repair or replace any defect in material or workmanship which occurs during normal use of this product with new or rebuilt parts, free of charge in the USA, for two years from the date of original purchase. This is a no hassle warranty with no mail in warranty card needed. This warranty does not cover damages in shipment, failures caused by other products not supplied by Channel Vision Technology, or failures due to accident, misuse, abuse, or alteration of the equipment. This warranty is extended only to the original purchaser, and a purchase receipt, invoice, or other proof of original purchase date will be required before warranty repairs are provided.

Mail in service can be obtained during the warranty period by calling (800) 840-0288 toll free. A Return Authorization number must be obtained in advance and can be marked on the outside of the shipping carton.

This warranty gives you specific legal rights and you may have other rights (which vary from state to state). If a problem with this product develops during or after the warranty period, please contact Channel Vision Technology, your dealer or any factory-authorized service center.

The **C-1321** is a hinged expansion plate that provides a second layer of grid space for mounting Channel Vision modules. It attaches to the enclosure extension ring (model C-1351). The C-1351 can hold 3 hinged expansion plates.

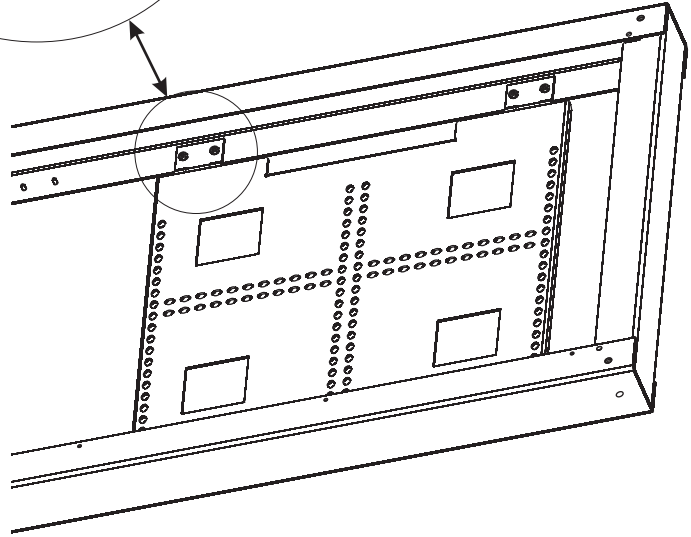
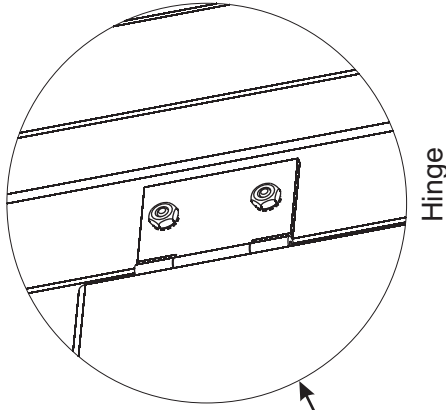
Features:

- Quick & easy installation
- Creates more space in crowded installations
- Hinge allows easy access to modules located behind the C-1321

Installation:

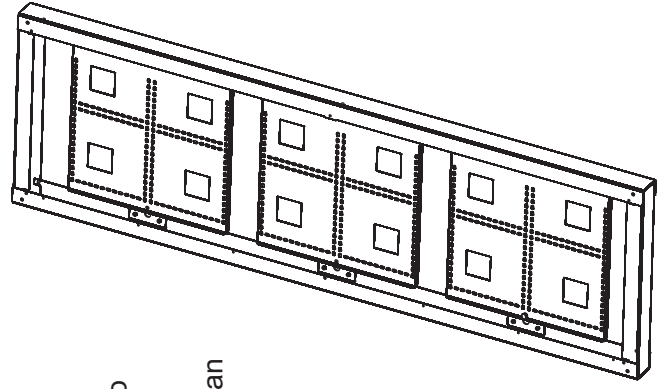
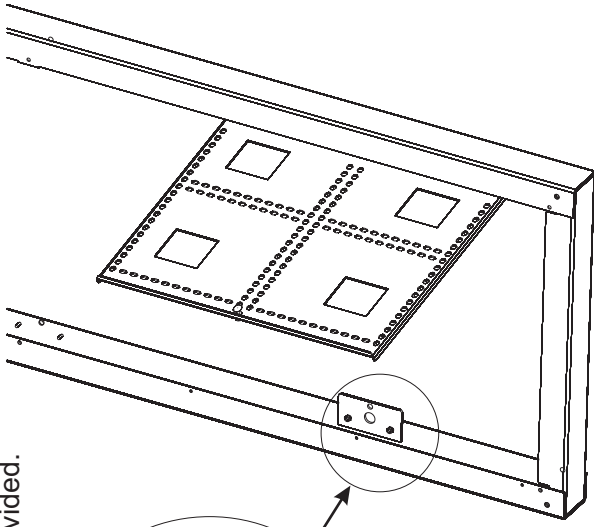
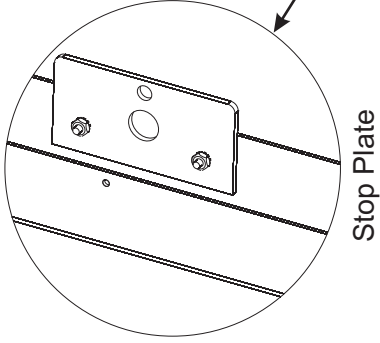
1. Connecting the plate:

Align hinges with studs on the extension ring and secure it with the nuts provided.



2. Connecting the stop plate:

Align the connecting the stop plate with studs on the extension ring and secure it with the nuts provided.



The 50" extension ring can hold up to three C-1321 as shown.

If only one C-1321 is being used, it can be installed in any of the 3 positions.