

CHANNEL VISION
Limited Warranty

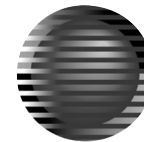
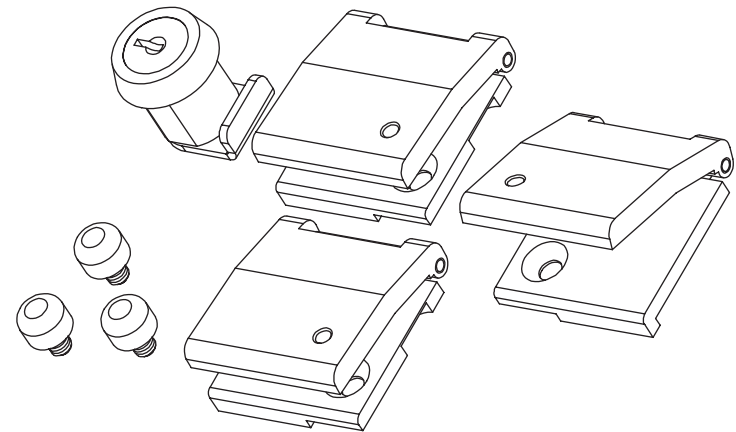
Channel Vision Technology will repair or replace any defect in material or workmanship which occurs during normal use of this product with new or rebuilt parts, free of charge in the USA, for two years from the date of original purchase. This is a no hassle warranty with no mail in warranty card needed. This warranty does not cover damages in shipment, failures caused by other products not supplied by Channel Vision Technology, or failures due to accident, misuse, abuse, or alteration of the equipment. This warranty is extended only to the original purchaser, and a purchase receipt, invoice, or other proof of original purchase date will be required before warranty repairs are provided.

Mail in service can be obtained during the warranty period by calling (800) 840-0288 toll free. A Return Authorization number must be obtained in advance and can be marked on the outside of the shipping carton.

This warranty gives you specific legal rights and you may have other rights (which vary from state to state). If a problem with this product develops during or after the warranty period, please contact Channel Vision Technology, your dealer or any factory-authorized service center.

500-095 RevB

CHANNEL VISION™
Central
C-1324
Universal Hinge Kit



CHANNEL VISION™

234 Fischer Avenue · Costa Mesa, CA 92626
(714) 424-6500 · (800) 840-0288 · (714) 424-6510 fax
www.channelvision.com · email: sales @ channelvision.com

The **C-1324** is a universal hinge kit that allows a conventional cover to hinge open. It is compatible with all of Channel Vision's regular in-wall structured wiring enclosures.

Features:

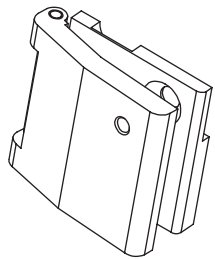
- Compatible with existing installations
- Lock and key set included
- Quick and easy installation

Installation:

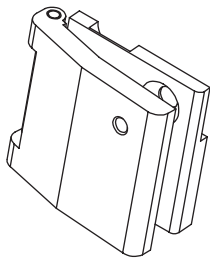
1. Attach hinges to the cover:

Note the top and bottom hinges are NOT identical.

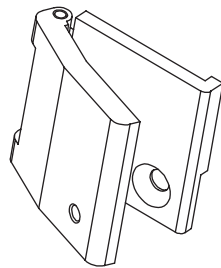
Top Hinge



Middle Hinge



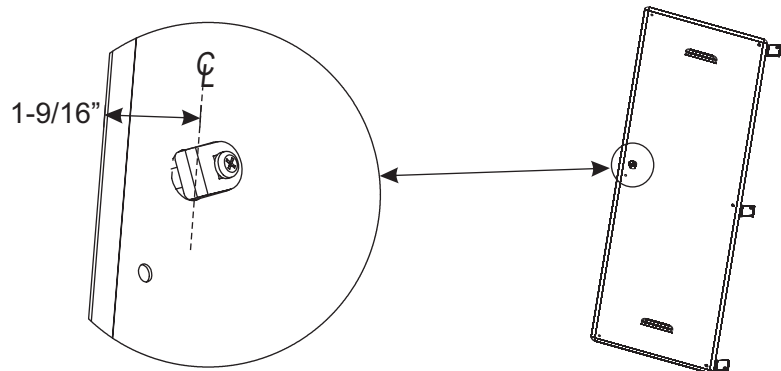
Bottom Hinge



Only used for
38" & 50" covers

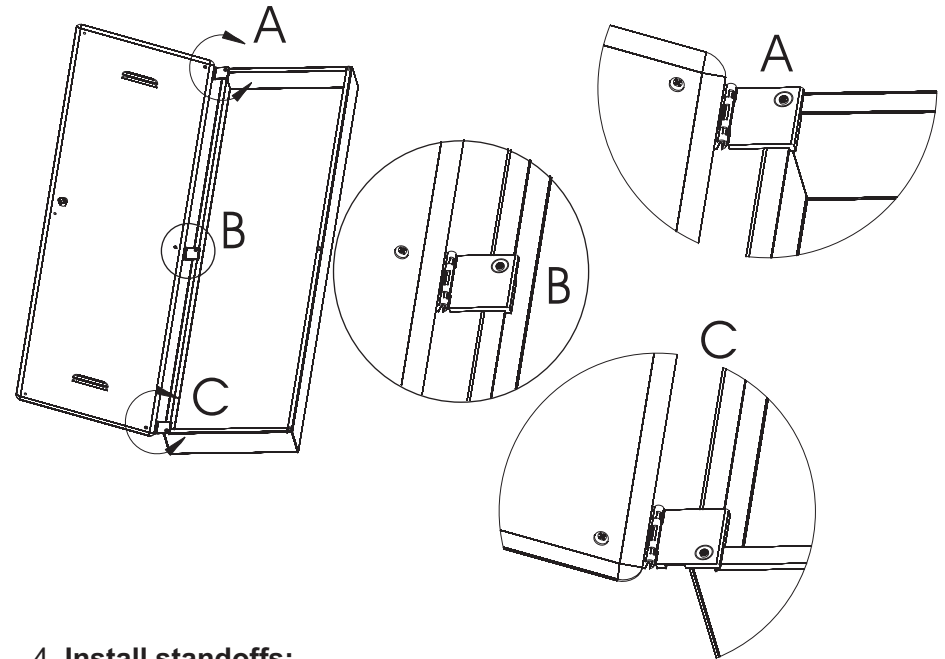
2. Install the lock:

On the cover, remove the lock knockout and assemble as shown. Note: covers made prior to the release of this product will not have a knockout. To install the lock, drill a hole 11/16" in diameter, located 1-9/16" in from the edge of the cover.



3. Attach cover to the enclosure:

Use the screws provided with your cover to attach the hinges.



4. Install standoffs:

Screw in the plastic standoffs on the non-hinged side of the enclosure.

