

CHANNEL VISION
Limited Warranty

Channel Vision Technology will repair or replace any defect in material or workmanship which occurs during normal use of this product with new or rebuilt parts, free of charge in the USA, for two years from the date of original purchase. This is a no hassle warranty with no mail in warranty card needed. This warranty does not cover damages in shipment, failures caused by other products not supplied by Channel Vision Technology, or failures due to accident, misuse, abuse, or alteration of the equipment. This warranty is extended only to the original purchaser, and a purchase receipt, invoice, or other proof of original purchase date will be required before warranty repairs are provided.

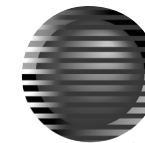
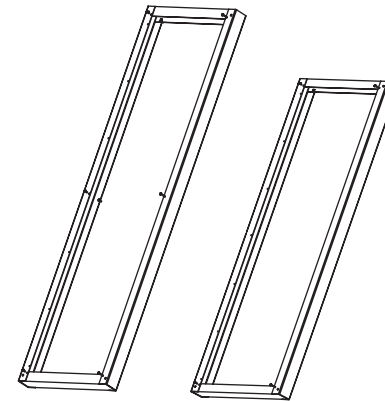
Mail in service can be obtained during the warranty period by calling (800) 840-0288 toll free. A Return Authorization number must be obtained in advance and can be marked on the outside of the shipping carton.

This warranty gives you specific legal rights and you may have other rights (which vary from state to state). If a problem with this product develops during or after the warranty period, please contact Channel Vision Technology, your dealer or any factory-authorized service center.

500-053 RevB

C-1351 & C-1338

Extension ring for C-0150E and C-0138E



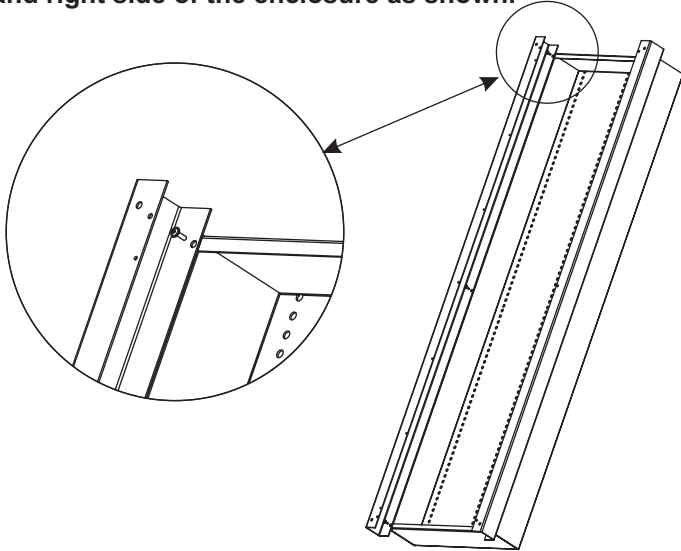
CHANNEL VISION™

234 Fischer Avenue · Costa Mesa, CA 92626
(714) 424-6500 · (800) 840-0288 · (714) 424-6510 fax
www.channelvision.com · email: sales @ channelvision.com

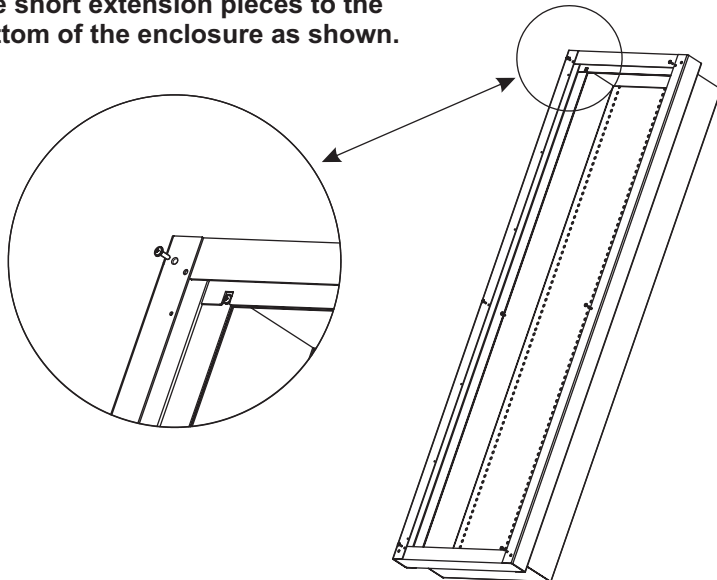
The C-1338 and C-1351 are accessories that extend the depth of Channel Vision's 38" and 50" enclosures allowing extra large equipment to be mounted inside. These extension rings are compatible with the C-1350 lock kit.

Assembling the C-1351

1 Attach the long extension pieces to the left and right side of the enclosure as shown.

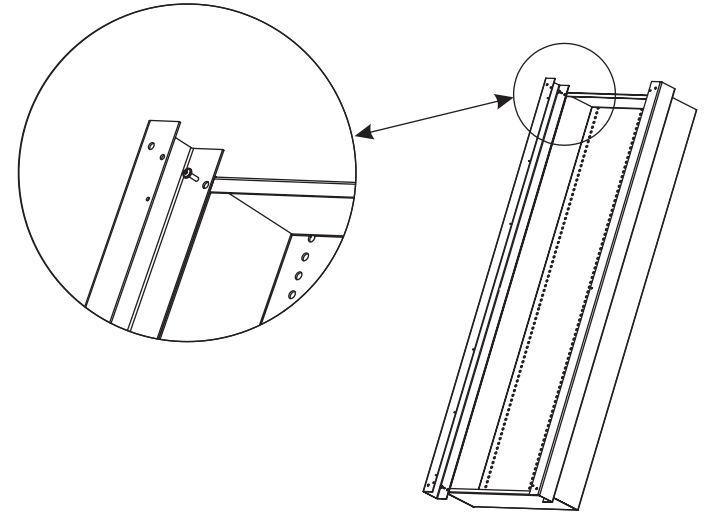


2 Attach the short extension pieces to the top and bottom of the enclosure as shown.



Assembling the C-1338

1 Attach the long extension pieces to the left and right side of the enclosure as shown.



2 Attach the short extension pieces to the top and bottom of the enclosure as shown.

