



CHANNEL VISION™

CVT-15PIA

15dB RF Amplifier

Channel Vision Limited Warranty

Channel Vision Technology will repair or replace any defect in material or workmanship which occur during normal use of this product with new or rebuilt parts, free of charge in the USA, for two years from the date of original purchase. This warranty does not cover damages in shipment, failures caused by other products not supplied by Channel Vision Technology, or failures due to accident, misuse, abuse, or alteration of the equipment. This warranty extends only to the original purchaser. A purchase receipt, invoice, or other proof of original purchase date will be required before warranty repairs are provided.

Mail-in service can be obtained during the warranty period by calling (714) 424-6500. A Return Authorization number must be obtained in advance and be marked on the outside of the shipping carton.

This warranty gives you specific legal rights, and you may have other rights (which vary from state to state). If a problem with this product develops during or after the warranty period, please contact Channel Vision, your dealer, or any factory-authorized service center.

234 FISCHER AVENUE • COSTA MESA, CA 92626
(714) 424-6500 • (800) 840-0288 • (714) 424-6510 FAX
<http://www.channelvision.com> • E-Mail: sales@channelvision.com

Description

Channel Vision's 15dB power injected inline amplifier provides the lowest induced noise figure available and is designed with the future in mind. Unlike other RF amplifiers, the CVT-15PIA features a bi-directional return path for use with future interactive TV, addressable cable box converters, and ultra high-speed cable modems.

Instructions

Step 1: Mount amplifier.

Step 2: Connect cable or antenna signal to the INPUT jack.

Step 3: Connect OUTPUT jack to distribute signal to all the TV's in the house.

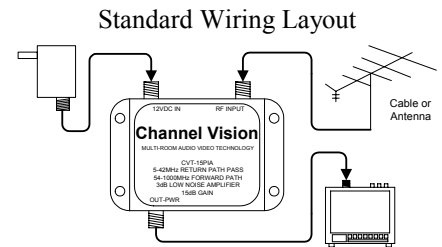
Step 4: Connect power to 12VDC input, or use PIA (power injector) for remote power capability. *Note:* must use DC passive splitters.

Please Note:

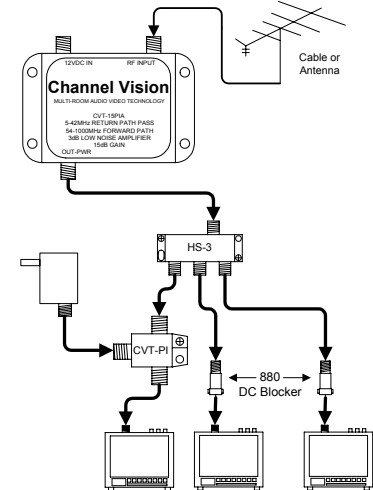
The unused trunk line connector of the last outlet device in each trunk line **MUST BE TERMINATED** using a 75Ω terminator (*model 2101*).

Specifications

Parameter	Condition	Min	Typ	Max
Gain	f=54MHz	13.5	14.5	15.5
	f=1000MHz	14.0	15.5	17.0
Flatness	54-1000MHz	-	+/-0.8	-
Insertion Loss	5-40MHz	-1.5	-	-0.5
Return Loss IN	5-40MHz	-	-18	-14
	54-750MHz	-	-20	-16
	750-1000MHz	-	-16	-14
Return loss OUT	5-40MHz	-	-18	-14
	54-750MHz	-	-20	-16
	750-1000MHz	-	-16	-14
Tap - Tap Isolation	54-1000MHz	-	-	-
2nd Order Input Intercept	-	80	-	-
3rd order input intercept	-	60	-	-
Composite Second Order	-	-	-	-60
Composite Triple Beat	-	-	-70	-60
Noise Figure	54-60MHz	-	3	3.5
	60-750MHz	-	2.4	3.0
	750-1000MHz	-	3	4.0
Hum Modulation	-	-	-	-70
Return Path Level	5-27MHz	-	-	60
	27-40MHz	-	-	40
RFI Isolation	5-1000MHz	-	-	-130
DC Current	-	70	110	170



Standard Wiring Layout



Layout with Power Injector

Warning

To prevent fire or shock hazard, do not expose this appliance to rain or moisture.