

 **CHANNEL VISION™**
10 Year Limited Warranty

Channel Vision Technology will repair or replace any defect in material or workmanship which occurs during normal use of this product with new or rebuilt parts, free of charge in the USA, for two years from the date of original purchase. This is a no hassle warranty with no mail in warranty card needed. This warranty does not cover damages in shipment, failures caused by other products not supplied by Channel Vision Technology, or failures due to accident, misuse, abuse, or alteration of the equipment. This warranty is extended only to the original purchaser, and a purchase receipt, invoice, or other proof of original purchase date will be required before warranty repairs are provided.

Mail in service can be obtained during the warranty period by calling (800) 840-0288 toll free. A Return Authorization number must be obtained in advance and can be marked on the outside of the shipping carton.

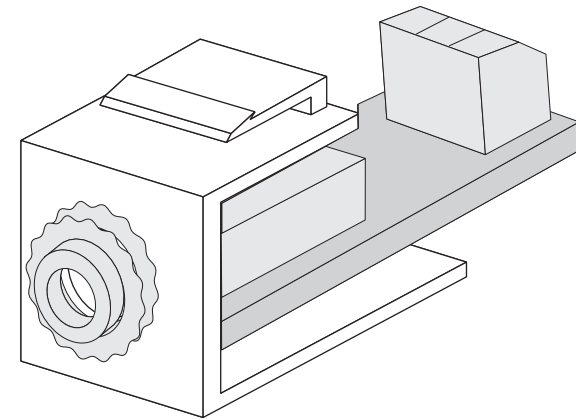
This warranty gives you specific legal rights and you may have other rights (which vary from state to state). If a problem with this product develops during or after the warranty period, please contact Channel Vision Technology, your dealer or any factory-authorized service center.

 **CHANNEL VISION™**
channelvision.com

234 Fischer Avenue, Costa Mesa, California 92626
(714)424-6500 • (800)840-0288 • (714)424-6510 fax

500-119 rev B

INSTRUCTIONS



J-IRBA **J-IRBI** **G-IRBW** **IR BREAKOUT WALL PLATE INSERT**

 **CHANNEL VISION™**
CENTRAL

©2005 CHANNEL VISION TECHNOLOGY

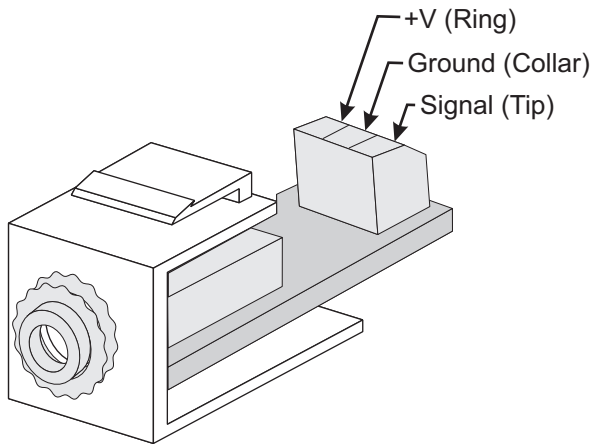
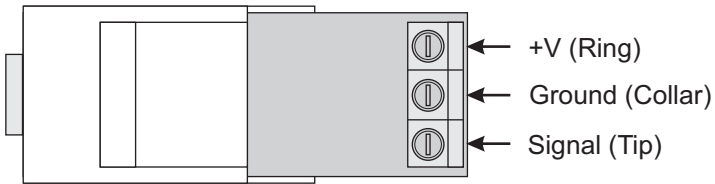
The **G-IRBW**, **J-IRBA**, and **J-IRBI** wall plate inserts allow IR receivers and emitters to be easily and neatly connected to a standard wall plate. These inserts provide a 3.5mm female jack on the front side and a 3-position screw terminal on the back.

Features:

- Can be used for IR receivers or emitters.
- No soldering required.
- Provides a clean and versatile IR wall plate interface.
- Compatible with all Channel Vision wall plates.
- Available in white (G-IRBW), almond (J-IRBA), and ivory (J-IRBI).

Top View

IR Receiver Connections



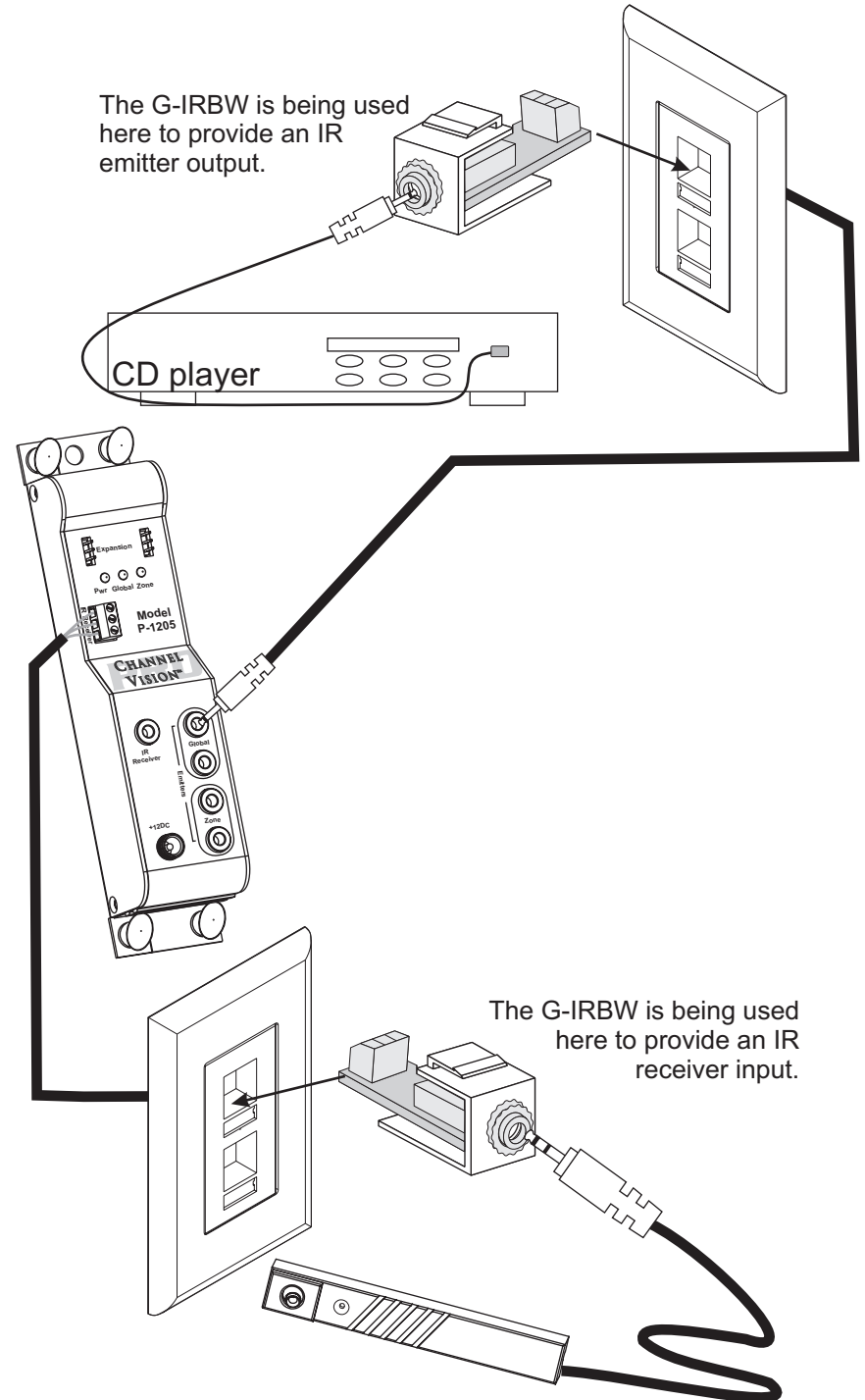
Wiring for specific applications

Application	Ring	Collar	Tip
IR Receiver	+ Voltage	Ground	IR Signal
IR Emitter	N.C.	Ground	IR Signal
Audio	Ground	Right Sig.	Left Sig.

Note: N.C = No Connection.

Typical Application

The G-IRBW is being used here to provide an IR emitter output.



The G-IRBW is being used here to provide an IR receiver input.