

● CHANNEL VISION™

10 Year Limited Warranty

Channel Vision Technology will repair or replace any defect in material or workmanship which occurs during normal use of this product with new or rebuilt parts, free of charge in the USA, for ten years from the date of original purchase. This is a no hassle warranty with no mail in warranty card needed. This warranty does not cover damages in shipment, failures caused by other products not supplied by Channel Vision Technology, or failures due to accident, misuse, abuse, acts of God, or alteration of the equipment. This warranty is extended only to the original purchaser, and a purchase receipt, invoice, or other proof of original purchase date will be required before warranty repairs are provided.

Mail in service can be obtained during the warranty period by calling (800) 840-0288 toll free. A Return Authorization number must be obtained in advance and can be marked on the outside of the shipping carton.

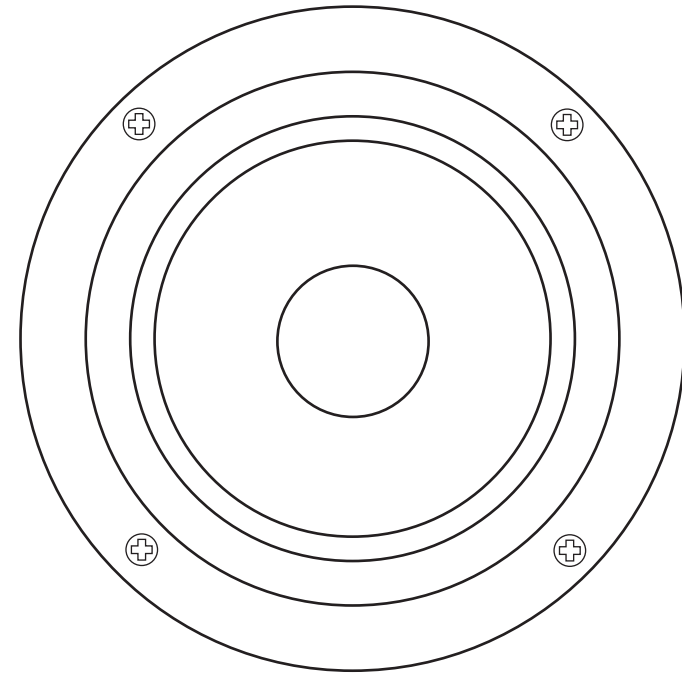
This warranty gives you specific legal rights and you may have other rights (which vary from state to state). If a problem with this product develops during or after the warranty period, please contact Channel Vision Technology, your dealer or any factory-authorized service center.

● CHANNEL VISION™
channelvision.com

234 Fischer Avenue, Costa Mesa, California 92626
(714)424-6500 • (800)840-0288 • (714)424-6510 fax

500-335 Rev B

INSTRUCTIONS



IC815 8" IN-CEILING SPEAKER

ARIA
BY ● CHANNEL VISION™

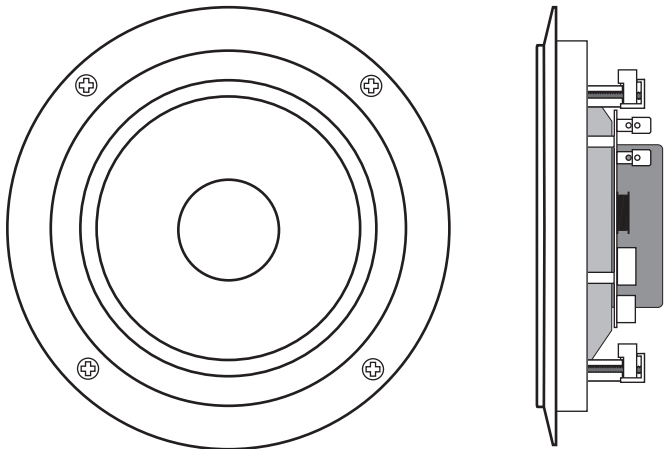
©2013 CHANNEL VISION TECHNOLOGY

Model IC815

Channel Vision's Aria 8" high performance in-ceiling speakers feature high power handling capability providing true stereo sound quality, not simply background music. The Aria 8" high performance in-ceiling speaker features a modern design enhanced by a paintable grill which covers all of the speaker frame using magnets. This discrete edge-to-edge grill has an ultra thin design that allows the speaker to be practically hidden in the ceiling, making the Aria 8" high performance in-ceiling speaker perfect for whole house audio or home theater applications. High quality materials ensure a long life and great performance. Silver speaker wire terminals not only provide better contact surface but also offer less resistance to signal transfer for a clear sound.

Features:

- High performance 150 watt Speaker
- 1" Ferro fluid Cooled Silk Dome Tweeter
- Ultra Thin Bezzle
- Paintable Grille
- 16 AWG Terminal Post
- 10 Year Manufacturer Warranty



Installation:

- Use the provided template to mark and cut a 10" hole in drywall away from ceiling joists.
- We recommend wiring with AWG 16 or larger, stranded wire.
- For proper phasing, both speakers must be wired alike. Connect red wires to red terminals on the speakers and to red or plus terminals on the amplifier.
- Install IC815 in the hole. Tighten the mounting screws. The mounting "dogs ears" will rotate outward and grip the drywall. **DO NOT OVER TIGHTEN** the screws. A battery operated drill on a "low clutch" setting is recommended.
- Aim tweeter
- To control the volume of the speaker locally, use an impedance matching volume control, such as the Channel Vision VC-302W.

Specifications:

Frequency range:	30-20,000Hz
Tweeter:	1" Ferro-fluid cooled silk dome
Sensitivity:	89dB@1W/1M
Power Handling:	150 Watts Max / 75Watts RMS
Drivers:	8" Polypropylene
Impedance:	8 ohms
Dimensions:	11" x 3-7/8" (from surface of wall board) hole size: 10" diameter

Specifications subject to change without notice.