

CHANNEL VISION™

10 Year Limited Warranty

Channel Vision Technology will repair or replace any defect in material or workmanship which occurs during normal use of this product with new or rebuilt parts, free of charge in the USA, for ten years from the date of original purchase. This is a no hassle warranty with no mail in warranty card needed. This warranty does not cover damages in shipment, failures caused by other products not supplied by Channel Vision Technology, or failures due to accident, misuse, abuse, or alteration of the equipment. This warranty is extended only to the original purchaser, and a purchase receipt, invoice, or other proof of original purchase date will be required before warranty repairs are provided.

Mail in service can be obtained during the warranty period by calling (800) 840-0288 toll free. A Return Authorization number must be obtained in advance and can be marked on the outside of the shipping carton.

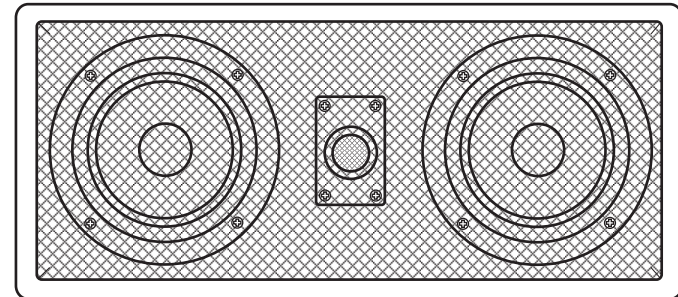
This warranty gives you specific legal rights and you may have other rights (which vary from state to state). If a problem with this product develops during or after the warranty period, please contact Channel Vision Technology, your dealer or any factory-authorized service center.

CHANNEL VISION™
www.channelvision.com

234 Fischer Avenue, Costa Mesa, California 92626 USA
(714)424-6500 • (800)840-0288 • (714)424-6510 fax
email: techsupport@channelvision.com

500-030 rev C

INSTRUCTIONS

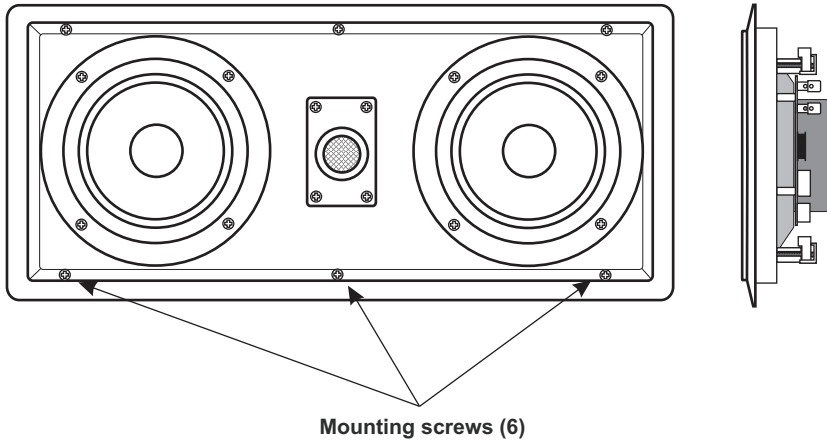


LCR625

6.5" In-Wall Left-Center-Right Speaker

CHANNEL VISION™
©2008 CHANNEL VISION TECHNOLOGY

Model LCR625



Installation:

- Use the included template to mark and cut a hole in the drywall.
- We recommend wiring with AWG 16 or larger, stranded wire.
- For proper phasing, all speakers in the system must be wired alike. Connect red wires to red terminals on speaker and to red or plus terminals on amplifier.
- Install LCR625 in hole. Tighten the mounting screws. The mounting dog ears will rotate outward and grip the drywall.
- Aim tweeter

Features:

- High power handling capacity
- Dual 6.5" polypropylene woofers with butyl rubber surrounds
- 1" pivoting soft dome tweeter
- Gold speaker terminals
- Small perforated designer grille
- Mounting template and paint shield included
- Recommended power: 20W to 150W

Specifications:

Frequency range:	40Hz - 20kHz \pm 3dB
Sensitivity:	90dB (1W/1m)
Power Handling:	150-Watts Peak
Drivers:	1- 1" silk soft dome tweeter 2- 6.5" polypropylene woofer
Impedance:	8 ohms
Finish:	ABS plastic
Dimensions:	8.94"H x 20.3"W x 3.7"D (Depth is from surface of wall board)
Weight:	12 Lbs as shipped

Specifications subject to change without notice.