

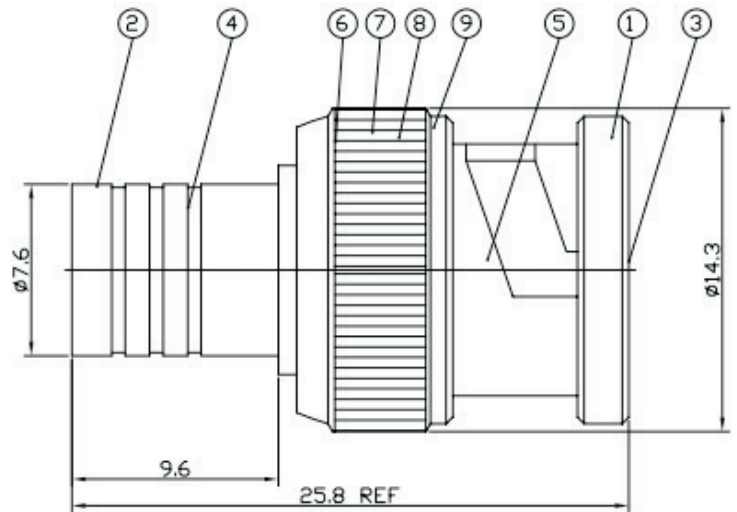
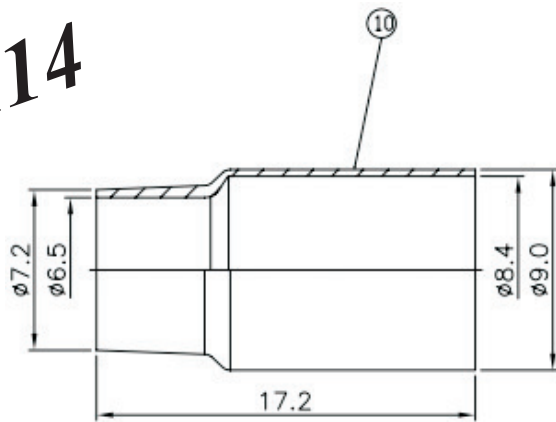


# CHANNEL VISION™

## 2114 2-Piece BNC Crimp Connector for RG59

Channel Vision's 2114 2-Piece BNC Crimp Connector for RG59 is perfect for terminating coax cables for use with security cameras.

# 2114



10	Ring	Brass	Nickel
9	Gasket	Rubber	Red
8	Washer	Iron	Nickel
7	Spring	SK-5	Nickel
6	Washer	Iron	Nickel
5	Insulator	Delrin	White
4	Insulator	Delrin	White
3	Pin	Brass	Gold
2	Body	Zinc	Nickel
1	Shell	Zinc	Nickel
No.	Description	Material	Finish

**\*Specifications:** (typical @25° C)

<b>Voltage Rating:</b>	AC 500V
<b>Withstanding Voltage:</b>	AC 1,500V for one minute
<b>Insulation Resistance:</b>	1,000 MegaOhms min at DC 500V
<b>Contact Resistance:</b>	0.003 Ohms max. at DC 1A
<b>VSWR:</b>	1.2max. 0-2GHz
<b>Frequency Range:</b>	0-4GHz
<b>Impedance:</b>	50 Ohms

\*Specifications subject to change without notice.



234 FISCHER AVENUE • COSTA MESA, CA 92626 USA  
(714) 424-6500 □ (800) 840-0288 □ (714) 424-6510 fax  
www.channelvision.com □ email: sales@channelvision.com