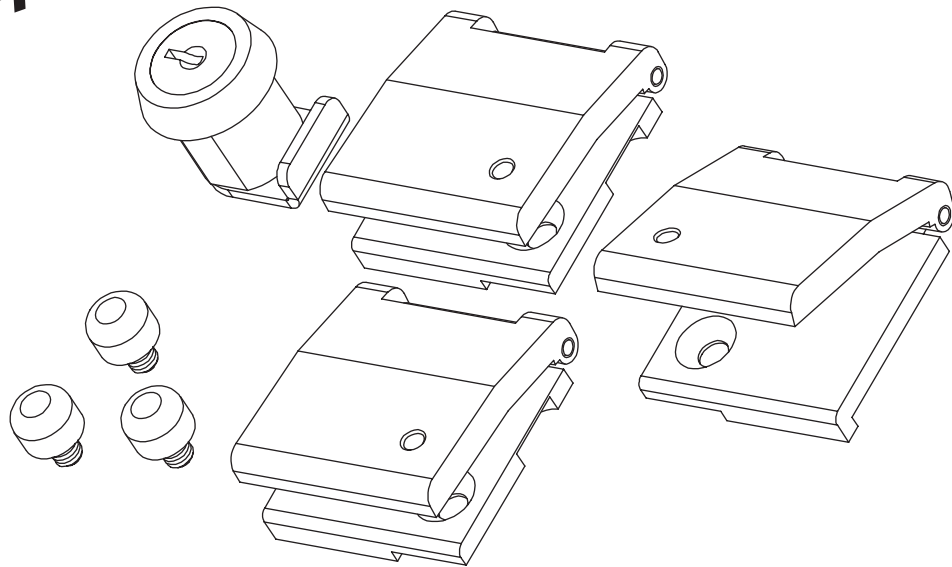


CHANNEL VISION *Central*

C-1324 Universal Hinge Kit

Channel Vision's C-1324 Universal Hinge Kit is the ideal upgrade for customers who want to add hinging functionality to a standard Channel Vision cover and enclosure. The Universal Hinge Kit provides flexibility for installers and designers who need a low-cost, non-hinging cover for some applications and an affordable cover with hinges for others. The C-1324 is compatible with all of the standard enclosures and covers: C-0112E & C-0112C, C-0119E & C-0119C, C-0128E & C-0128C, and C-0138E & C-0138C. Note: The C-0150HC has a built-in hinge.

C-1324



Features:

- Compatible with existing installations
- Key and lock set included
- Quick and easy installation



CHANNEL VISION™

234 FISCHER AVENUE • COSTA MESA, CA 92626
(714) 424-6500 □ (800) 840-0288 □ (714) 424-6510 fax
www.channelvision.com □ email: sales@channelvision.com