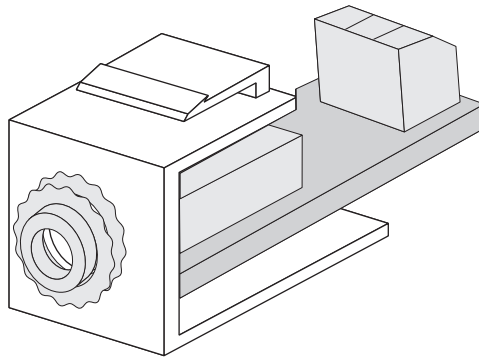


CHANNEL VISION

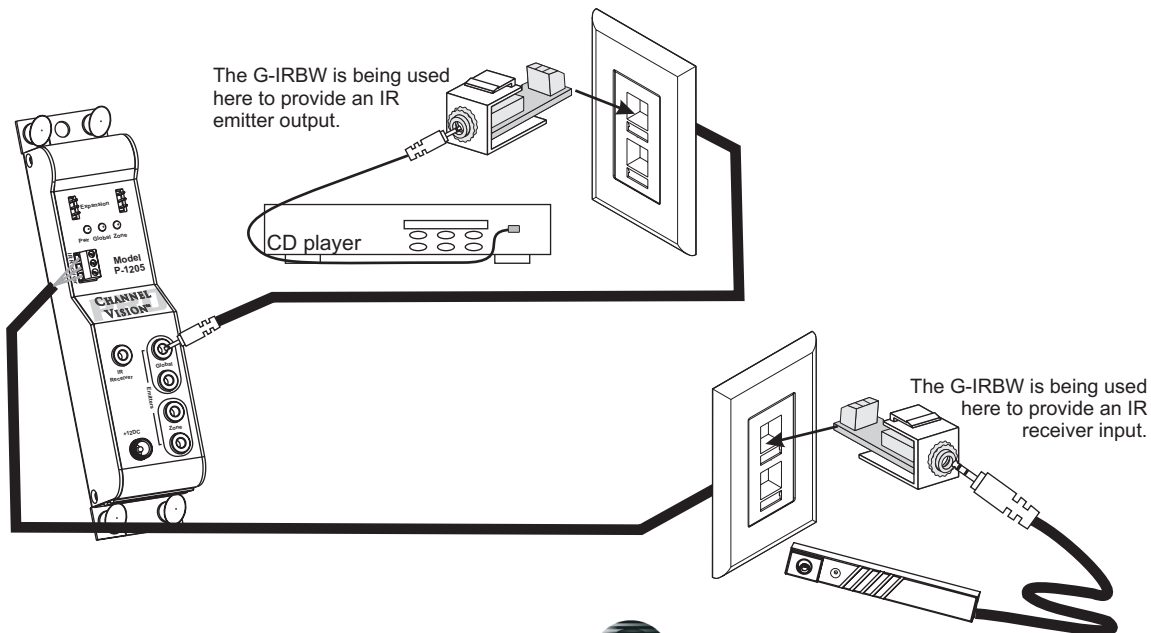
G-IRBW, J-IRBA & J-IRBI IR Breakout Wall Plate Insert

The **G-IRBW**, **J-IRBA**, and **J-IRBI** wall plate inserts allow IR receivers and emitters to be easily and neatly connected to a standard wall plate. These inserts provide a 3.5mm female jack on the front side and a 3-position screw terminal on the back.



Features:

- Can be used for IR receivers or emitters
- No soldering required
- Provides a clean and versatile IR wall plate interface
- Compatible with all Channel Vision wall plates
- Available in white (G-IRBW), almond (J-IRBA), and ivory (J-IRBI)



CHANNEL VISION™

234 FISCHER AVENUE • COSTA MESA, CA 92626
(714) 424-6500 □ (800) 840-0288 □ (714) 424-6510 fax
www.channelvision.com □ email: sales@channelvision.com