

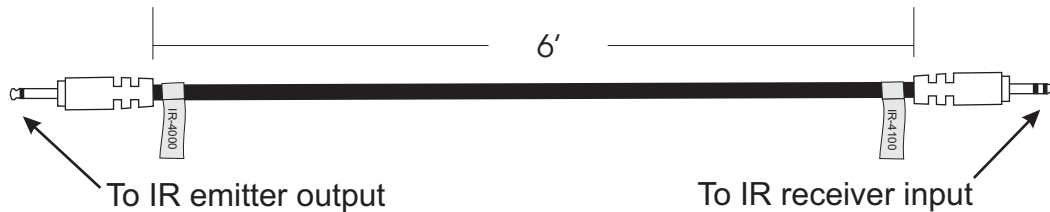


# CHANNEL VISION™

## IR-4180 IR Bypass Cable

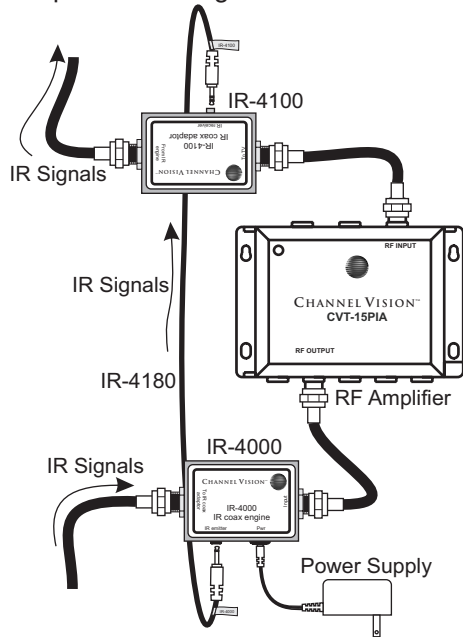
Channel Vision's IR-4180 is an accessory cable that allows an IR emitter output to be directly connected to an IR receiver input. One end of the cable is terminated with a 3.5 mm mono connector and the other end is terminated with a 3.5 mm stereo connector. This is the perfect accessory to use when you need to bridge two IR system together.

### IR-4180



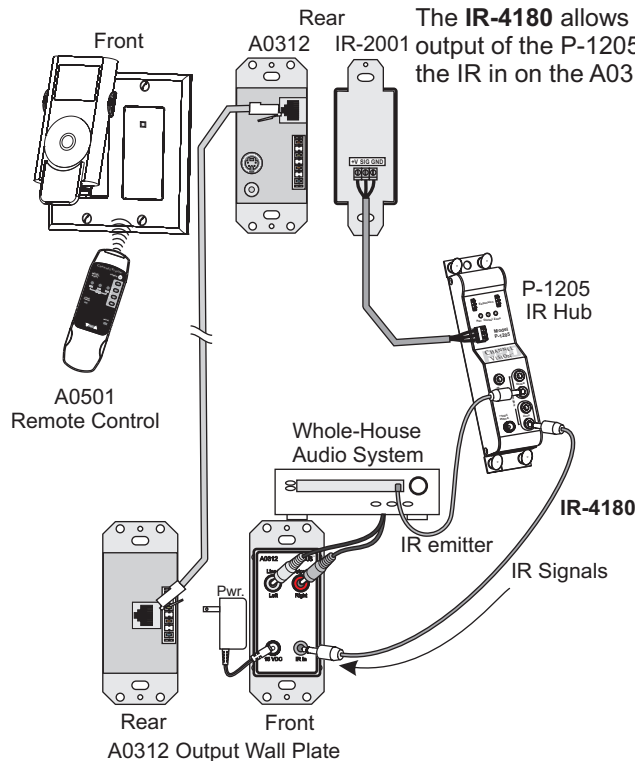
#### Application #1

The IR-4180 allows the IR over coax signal to bypass RF amplifiers that will not pass the IR signal.



#### Application #2

The IR-4180 allows the emitter output of the P-1205 to connect to the IR in on the A0312.



**CHANNEL VISION™**  
channelvision.com

234 Fischer Avenue, Costa Mesa, California 92626  
(714)424-6500 • (800)840-0288 • (714)424-6510 fax